

MOTOR

Asynchronous motor XC, 250-740 W

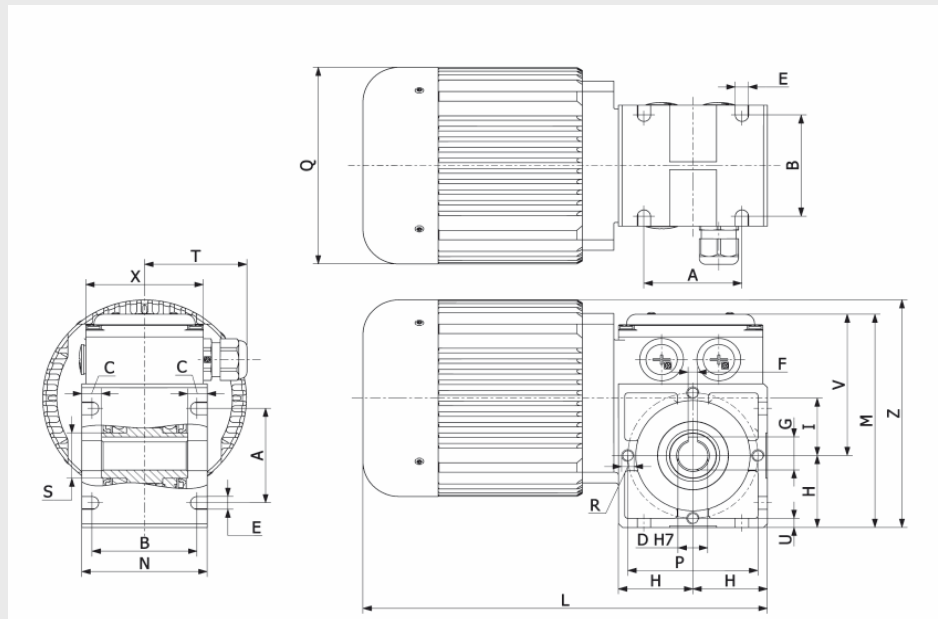


- 30 % smaller than motors with same power
- Torque up to 35 Nm continuously
- IP65 according to EN 60529 as standard
- Long lifetime – High quality
- CSA approved file nr. 226757

Technical data:

Voltage:	3-fas / 230 - 400 VAC/ 50 - 60 Hz
Output power:	250 - 740 W
Torque:	5,8 - 35 Nm
Speed:	14,8 - 590 rpm
Current:	1,26 A / 230 VAC 0,73 A / 400 VAC
Approvals:	CE, cCSAus

Dimensions:



Typo Type Typ Type Tipo	A	B	C	D	E	F	G	H	I	L	M	N	P	Q	R	S	T	U	V	X	Z	Peso Weight Gewicht Poids Peso kg
XC...H5...	62,5	67	12,5	19	8,5	6	21,8	47,5	38	258	141	80	83	130	M8	30	65,3	6	93,5	75	150,5	7,20
XC...H6...	62,5	67	12,5	19	8,5	6	21,8	47,5	38	273	141	80	83	130	M8	30	65,3	6	93,5	75	150,5	7,44
XC...H7...	62,5	67	12,5	19	8,5	6	21,8	47,5	38	288	141	80	83	130	M8	30	65,3	6	93,5	75	150,5	7,76

Order information:

The range offers more models than can fit here, please contact us for correct model!