

COMMUNICATION CONVERTER



TRP-C39 Fiber to RS232/422/485 Isolated Converter, ST Multi-mode

Specifications

- ◆ Power Input Voltage: DC +10V to +30V.
- ◆ Interface: RS232/422/485 auto switching.
- ◆ RS232: 3 full-duplex (TXD, RXD, GND).
- ◆ RS422: Differential 4 full-duplex wires (TX+, RX+, TX-, RX-).
- ◆ RS485: Differential 2 half-duplex wires (D+, D-).
- ◆ Cable: Fiber ST Cable (62.5/125um).
- ◆ Wavelength: 850 nM.
- ◆ Transmission distance: RS422/485 up to 4000ft. (1200M), and Fiber up to 2 KM.
- ◆ Baud rate: From 300bps to 115.2Kbps.
- ◆ Connection type: Screw terminal accepts AWG #12~30 wire.
- ◆ Signal LED: Power on, TX, RX.
- ◆ Power supply: Screw terminal, or external DC adapter.
- ◆ Power consumption: 1.6W.
- ◆ Isolation Voltage: 3000V DC.
- ◆ Operating temperature: -20 to 65C.
- ◆ Storage temperature: -20 to 65C.
- ◆ Humidity: 10-90% Non-condensing.
- ◆ Dimension: 151 mm X 75 mm X 2.6mm.
- ◆ Weight: 375g.

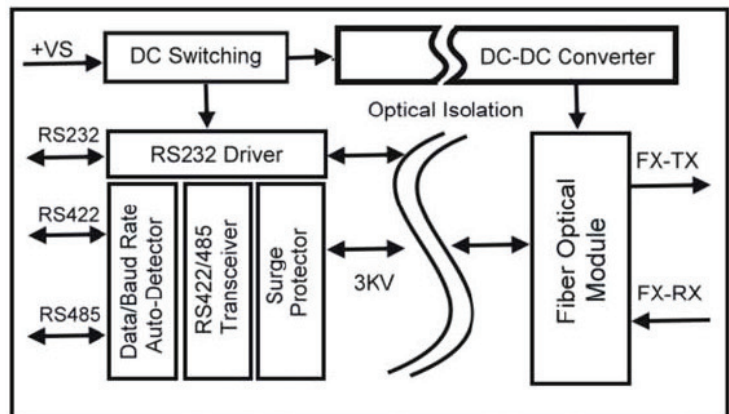
Introduction

The TRP-C39 fiber converter allows RS232/422/485 signals to be bi-directionally converted to fiber optic and extend the distance up to 2KM over multi-mode. By using fiber optic transmission technology TRP-C39 secures a stable and error free data transmission over the industrial environments. The high bandwidth fiber connections solve problems with electrical noise and different ground potentials over long transmission lines. TRP-C39 supports auto configuration in data format, baud rate and RS485 data direction flow control, it also provides with 3000V DC isolation and internal surge protection. The industry DIN rail and panel mounting design enable user a fast and professional installation.

Features

- ◆ Wide input range DC power supply.
- ◆ ST Multi-mode fiber port.
- ◆ Auto direction flow control on RS485.
- ◆ Auto RS232/422/485 signals switching.
- ◆ Auto data format detecting.
- ◆ Auto baud rate switching from 300bps to 115.2Kbps.
- ◆ Support 3000V DC isolated protection.
- ◆ Support surge protection on RS422/485 data lines.
- ◆ Power/TX/RX mode LED indicator.
- ◆ Fiber transmission distance up to 2KM.
- ◆ DIN rail or panel mount support.

Block Diagram



Application Note

