

# COMMUNICATION CONVERTER



## TRP-C26 16-channel Digital Input Isolated RS485 Module, Support ASCII and Modbus Protocol.

### Introduction

TRP-C26 provides 16 optical isolated digital input channels that allow you to input logic signals from +0 to 30V DC. All channels feature screw terminals for convenient connection of field signals as well as LED's to indicate channel status. All inputs are equipped with photo-couplers to protect the module against high voltage spikes, as well as ground potential differences. For easy user access, TRP-C26 can enter configuration mode and self-test mode with outer dip-switch. TRP-C26 supports both ASCII and Modbus protocol, with a full set of command, dual watch-dog, and auto reset function the module can be remote controlled by PC in ASCII or Modbus RTU protocol.

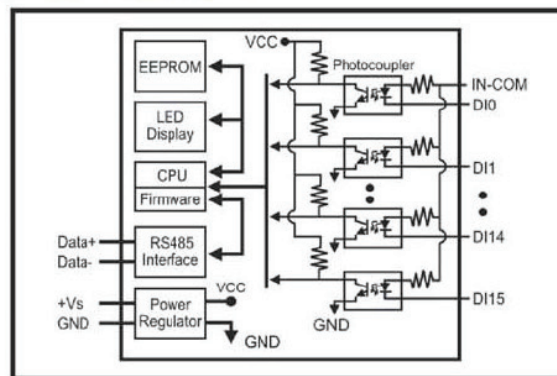
### Features

- ◆ Wide input range DC power supply.
- ◆ Support ASCII and Modbus RTU protocol.
- ◆ Supports baud rate from 1.2Kbps to 115.2Kbps.
- ◆ All 16 channels digital input can be used as counter.
- ◆ Digital input signal with 3750Vrms isolated protection.
- ◆ Dual watchdog: module's firmware, host computer traffic.
- ◆ LED for each channels working status.
- ◆ DIN rail and panel mount support.
- ◆ Configured and self-test by outer dip-switch.
- ◆ Support screw terminal and external DC power adaptor.

### Specifications

- ◆ Power Input Voltage: DC +10V to +30V.
- ◆ Protocol: ASCII and Modbus RTU.
- ◆ Input channel: 16 digital input channels with counter.
- ◆ Digital input counter: 0~65535.
- ◆ Input optical isolation: 3750Vrms.
- ◆ Input logical level 0: +1V (max).
- ◆ Input logical level 1: +4.0V ~ +30V.
- ◆ Communication interface: RS485 differential 2 half/duplex wires.
- ◆ Communication speed: Baud rate from 1.2Kbps to 115.2Kbps.
- ◆ Data format: Data bit: 8, Parity Check: None, Stop Bit: 1.
- ◆ Input impedance: 3K $\Omega$ .
- ◆ Inputs can be used as counter channel: 16.
- ◆ Counter frequency: 100Hz.
- ◆ Dual watchdog: Hardware reset circuit module and host operating status.
- ◆ Signal LED: Power on, all input channels.
- ◆ Connection type: Screw terminal, accepts AWG #12~30 wire.
- ◆ Power supply: Screw terminal, or external DC adaptor.
- ◆ Power consumption: 1.5W.
- ◆ Operating temperature: -20 to 65C.
- ◆ Storage temperature: -20 to 65C.
- ◆ Humidity: 10-90% Non-condensing.
- ◆ Dimension: 151mm X 75mm X 26mm.
- ◆ Weight: 395g.

### Block Diagram



### Application Note

