

COMMUNICATION CONVERTER

TRP-C06 RS232 to RS422/485 Isolated Converter



■ Specifications

- ◆ Power input voltage: DC +10V to +30V.
- ◆ Power input type: Support screw terminal or external DC adaptor.
- ◆ RS232 interface: Standard D-Sub 9 pin female connector (TXD, RXD, GND).
- ◆ RS422/485 interface: Industrial plug-in screw terminal.
- ◆ RS485 signal: differential 2 half-duplex wires (D+, D-).
- ◆ RS422 signal: differential 4 full-duplex wires (TX+,RX+,TX-,RX-).
- ◆ Plug-in screw terminal wiring: Accepts AWG #12~30 wire.
- ◆ Transmission distance: RS422/485 up to 4000ft. (1200M).
- ◆ Isolation voltage: 3000V DC.
- ◆ Serial data format: Asynchronous data with any combination of bits, parity, stop.
- ◆ LED indicator: Power, TX, and RX.
- ◆ Power consumption: 1.2 watt.
- ◆ Operating Temperature : -20 to 65°C .
- ◆ Storage Temperature: -20 to 65°C .
- ◆ Humidity: 10-90% Non-condensing.
- ◆ Dimension: 151mm X 75mm X 26mm.
- ◆ Weight: 375g

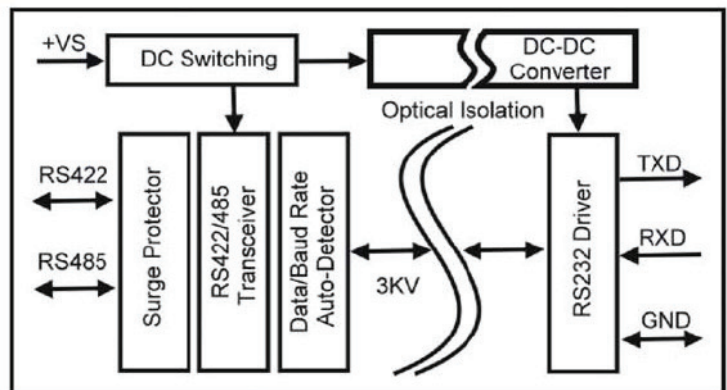
■ Introduction

The TRP-C06 allows RS232 line signal to be bi-directionally converted to RS422 or RS485 standard and transmit data up to 1.2KM. Featuring automatic data format and baud rate detect function user just need to plug in the unit and go without extra configuration efforts. TRP-C06 is equipped with 3000V DC of isolation and internal surge protection on data lines to protect the host computer and converter against high voltage spikes, as well as ground potential differences. The industry DIN rail and panel mounting design enable user a fast and professional installation.

■ Features

- ◆ Wide input range DC power supply.
- ◆ Automatic data format configuration.
- ◆ Auto direction flow control on RS485.
- ◆ Auto baud rate switching from 300bps to 115.2 Kbps.
- ◆ 3000V DC isolated protection.
- ◆ Surge protection on RS422/485 data lines.
- ◆ Power/TX/RX mode LED indicator.
- ◆ Support screw terminal and external DC power adaptor.
- ◆ DIN rail or panel mount support.

■ Block Diagram



■ Application Note

