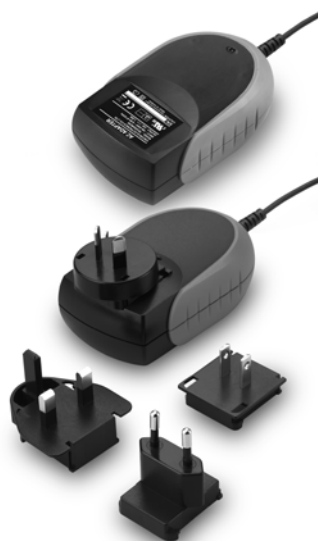


POWERSUPPLIES

TR30RAM, Switching adapter 30W for medical use and changeable AC plug



- Approved according to EN60601-1 and UL2601
- Output led indication
- Changeable AC plugs
- Elegant design with coloured rubber edge

Technical data:

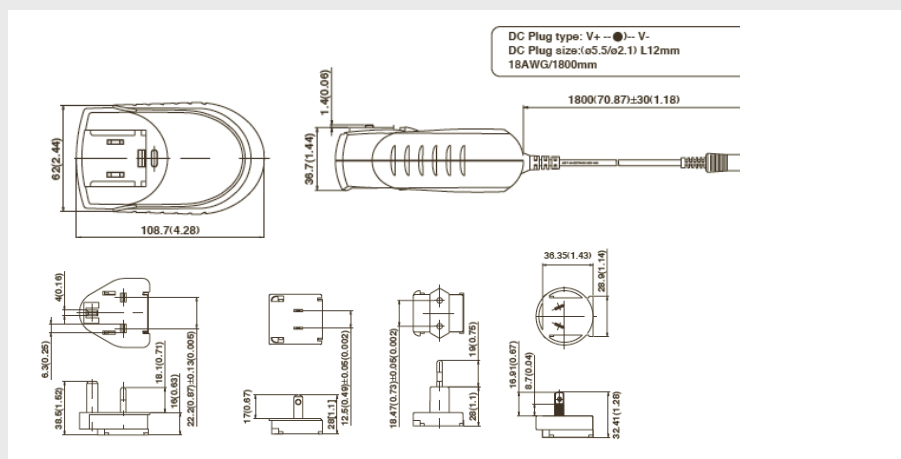
Input:

Input voltage: 90-264VAC
 Frequency: 47-63 Hz
 Input current max: 0.8A at 90VAC
 Leakage current: 100uA max

Output:

Output voltage: See below table
 Output current: See below table
 Line regulation 90-264V: +/-1%
 Ripple&noise: 1%
 Efficiency: >75%
 Hold up time: >10mS
 Isolation voltage: 5656VDC input/output
 Temperature range: 0°C...+40°C
 Protection: Short circuit and over voltage protection
 Plug and cable: On request. Standard is 1800mm, 18AWG and equipped with 5.5x2.1 DC plug
 Size: 109x62x37mm
 Weight: 300g
 Safety and EMC: UL/TÜV/PSE/FCC/CE

Dimensions:



Ordering information:

Type	Power	Output voltage	Max current
TR30RAM050	20W	5VDC	4.00A
TR30RAM060	20W	6VDC	3.33A
TR30RAM090	27W	9VDC	3.00A
TR30RAM120	30W	12VDC	2.50A
TR30RAM150	30W	15VDC	2.00A
TR30RAM180	30W	18VDC	1.65A
TR30RAM240	30W	24VDC	1.25A

For complete adapter, information with type of AC and DC plug with polarity is requested.