

# MOTOR

## Worm Gear SN31 with motor M63

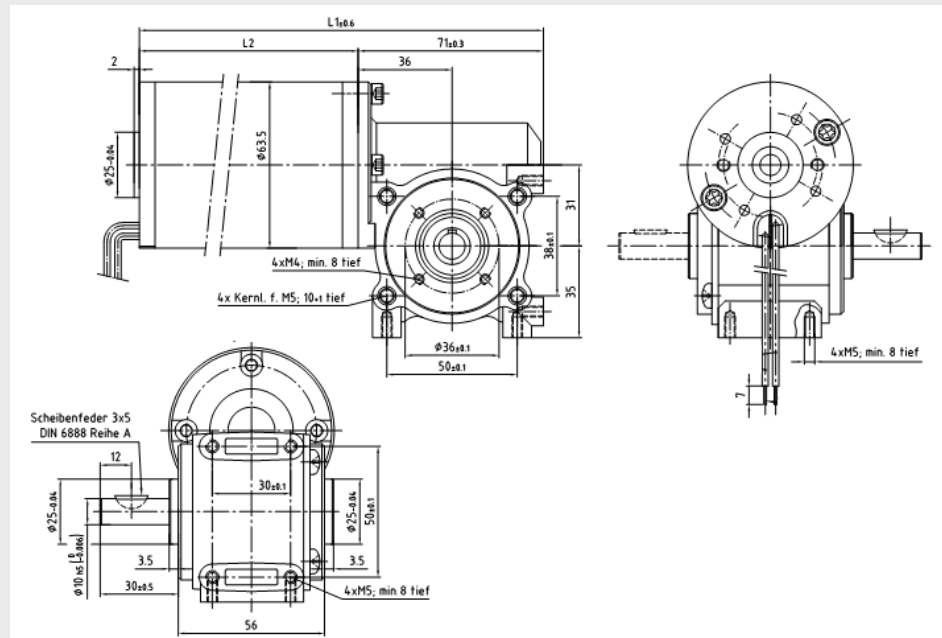


- Lubrication for life
- Low noise
- Withstands high axial and radial forces

### Technical data:

Max continuous torque:	4,0 Nm
Max torque (short duty):	8,0 Nm
Recommended input-speed:	< 3000 rpm
Permissible radial load:	200 N
Tillåten radiell kraft:	600 N
Efficiency:	46 - 90 %
Temperature range:	- 30...+ 80 °C
Backlash unloaded:	< 0,5 degree

### Dimensions:



Ratio $i=x:1$	Rpm	M63x25/l Continuous torque Ncm	M63x40/l Continuous torque Ncm	M63x60/l Continuous torque Ncm	M63x60/l12V Continuous torque Ncm
7	429	88	113	189	139
10	300	118	151	252	185
15	200	151	194	324	238
38*	79	245	315	400**	385

\*Bronze worm gear

\*\*Motor must have current limiting

### Order information:

Please contact us for more information and article number.