

MOTOR



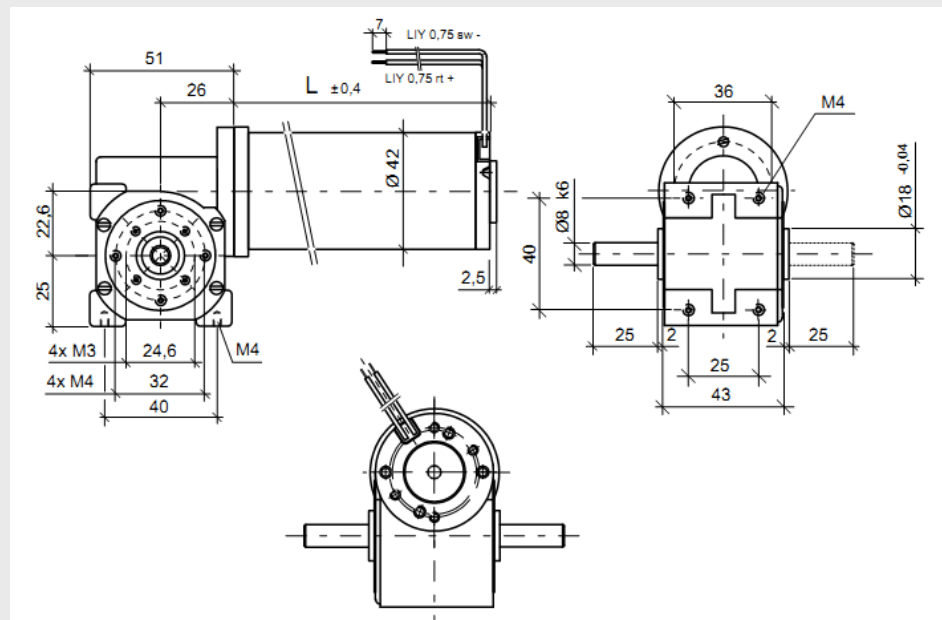
Worm Gear SN22,6 with motor M42

- Bronze worm gear
- Low noise
- Withstands high axial and radial forces

Technical data:

Max continuous torque:	3,9 Nm
Max torque (short duty):	4,5 Nm
Recommended input-speed:	< 3000 rpm
Permissible axial load:	100 N
Permissible radial load:	300 N
Efficiency:	30 - 70 %
Temperature range:	- 30...+ 80 °C
Backlash unloaded:	3,0 degree

Dimensions:



Ratio i=x:1	Rpm	M42x15/l Continuous torque Ncm	M42x20/l Continuous torque Ncm	M42x30/l Continuous torque Ncm	M42x40/l Continuous torque Ncm
3	1000	8,4	10,5	15,8	18,9
4	750	10,4	13,0	19,5	23,4
7	429	16,8	21,0	31,5	37,8
10,5	286	23,1	28,9	43,3	52,0
15	200	30,0	37,5	56,3	67,5
21	143	37,8	47,3	70,9	85,1
30	100	48,0	60,0	90,0	108,0
40	75	48,0	60,0	90,0	108,0

Order information:

Please contact us for more information and article number.