

MOTOR

Worm Gear SN22,6 with motor M48

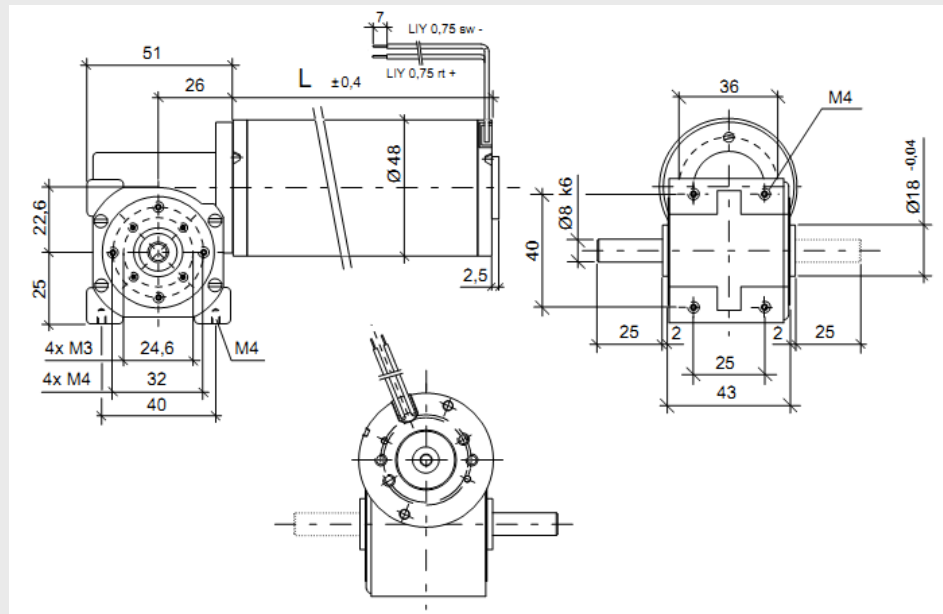


- Bronze worm gear
- Low noise
- Withstands high axial and radial forces

Technical data:

Max continuous torque:	3,9 Nm
Max torque (short duty):	4,5 Nm
Recommended input-speed:	< 3000 rpm
Permissible axial load:	110 N
Permissible radial load:	300 N
Efficiency:	30 - 70 %
Temperature range:	- 30...+ 80 °C
Backlash unloaded:	3,0 degree

Dimensions:



Ratio $i=x:1$	Rpm	M48x25/l Continuous torque Ncm	M48x50/l Continuous torque Ncm	M48x60/l Continuous torque Ncm
3	1000	10,5	21,0	31,5
4	750	13,0	26,0	39,0
7	429	21,0	42,0	63,0
10,5	286	28,9	57,8	86,6
15	200	37,5	75,0	112,5
21	143	47,3	94,5	141,8
30	100	60,0	120,0	180,0
40	75	60,0	120,0	180,0

Order information:

Please contact us for more information and article number.