

MOTOR

Worm Gear SN17 with motor M42

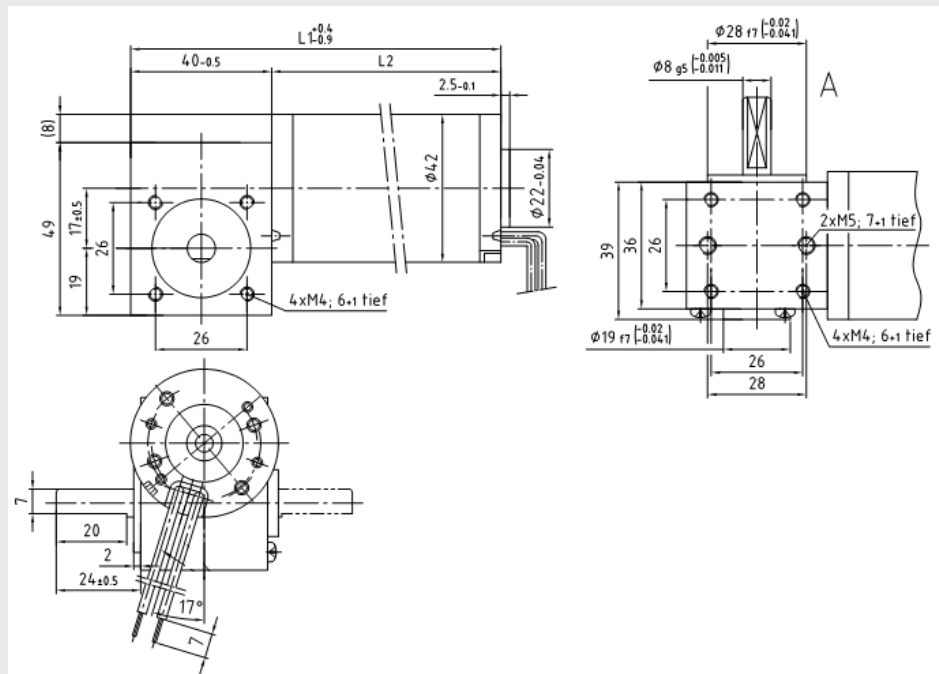


- Bronze worm gear
- Low noise
- Withstands high axial and radial forces

Technical data:

Max continuous torque:	2,65 Nm
Max torque (short duty):	4,0 Nm
Recommended input-speed:	< 3000 rpm
Permissible axial load:	60 N
Permissible radial load:	100 N
Efficiency:	25 - 75 %
Temperature range:	- 30...+ 140 °C
Backlash unloaded:	< 0,5 degree

Dimensions:



Ratio i=x:1	Rpm	M42x15/l Continuous torque Ncm	M42x20/l Continuous torque Ncm	M42x30/l Continuous torque Ncm	M42x40/l Continuous torque Ncm
7	429	21	26	34	47
10	300	28	35	46	63
15	200	39	49	63	88
25	120	55	69	89	124
40	75	65	80	104	144
50	60	80	100	130	180
60	50	84	105	137	189
75	40	75	94	122	169

Order information:

Please contact us for more information and article number.