

MOTOR

Induction motor with spur gearbox, 60W

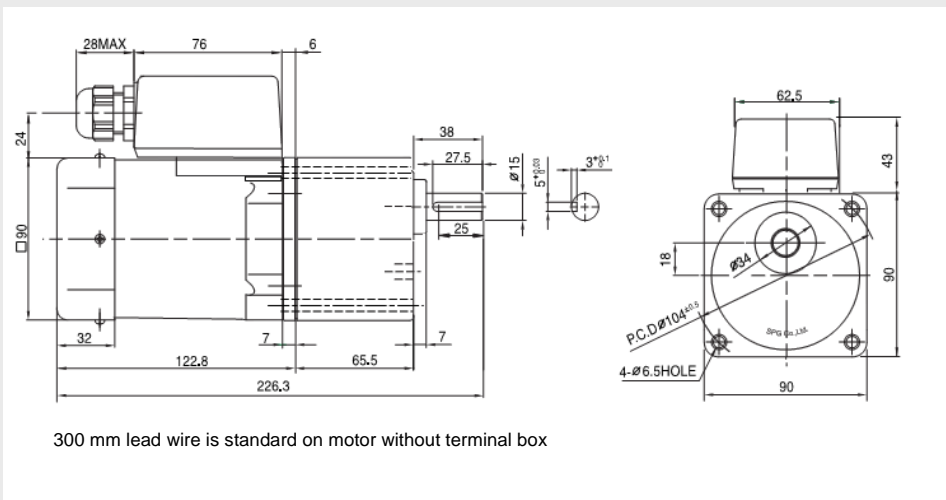


- Built-in thermal protection
- Low noise
- Maintenance – free gearbox
- Tacho and brake option

Technical data:

Voltage:	115... 400 VAC, 50 - 60 Hz
Output power:	60 W
Rated torque:	38 - 50 Ncm
Motor speed:	1300 - 1600 rpm
Output speed:	7,5 – 500 rpm
Current:	0,63 - 1,60 A
IP protection:	IP54 with terminal box, IP23 with lead wire type
Approvals:	CE, CCC and UL at 115 VAC

Dimensions:



Order information motor:

Article no	Type
S9I60GXHCE	Induction motor, 230 VAC with lead wire
S9I60GXH-TCE	Induction motor, 230 VAC with terminal box
S9I60GTH-TCE	Induction motor, 3-phase 230 VAC with terminal box
S9I60GSH-TCE	Induction motor, 400 VAC with terminal box
S9R60GXH-TCE	Reversible motor, 230 VAC with terminal box

Order information gearbox:

Article no	Max torque at continuous operation Nm	Output speed rpm
S9KC12.5BH	4.47	120
S9KC18BH	6.44	83
S9KC25BH	8.09	60
S9KC36BH	11.66	41
S9KC75BH	19.60	20
S9KC100BH	19.60	15
S9KC180BH	19.60	8

Motor and gear is delivered separately. More models are available in standard program, contact us for information