

POWERSUPPLIES

PW24, Switching adapter max 24W for medical use & changeable AC plugs



- Certified according to EN/UL60601-1, 3rd edition
- ErP & CEC efficiency regulation compliance
- Changeable AC plugs + C8 input
- Power on indication
- 2 year warranty

Technical data:

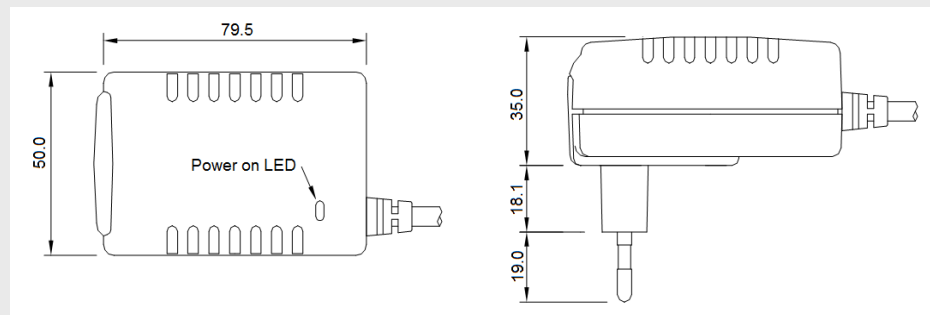
Input:

Input voltage:	90-264VAC
Frequency:	47-63 Hz
Input current:	0.35A vid 264VAC
Inrush current max:	30A@115VAC
Leakage current:	70uA typical

Output:

Output voltage:	See below table
Output current:	See below table
Total regulation:	+5% / -3%
Ripple & noise:	1%
Hold up time:	10ms
Efficiency:	>80%
Temperature range:	-20°C...+40°C
Protection:	Short circuit and over voltage protection
Plug and cable:	Round cable 1550mm 18AWG, UL1185 and equipped with DC plug upon customers request.
Size:	79.5x50x35mm + AC plug
Weight adapter:	150g without AC plug
Weight AC plugs:	EU 18g, UK 30g, AU 15g, US 12g
Safety and EMC:	UL/CSA/NEMKO/FCC/CE

Dimensions:



Ordering information:

Type	Power	Output voltage	Current
PW-M015A-1Y050KZ	0 - 15 W	5 VDC	0 – 3.00 A
PW-M015A-1Y090KZ	0 – 24 W	9 VDC	0 – 2.67 A
PW-M015A-1Y120KZ	0 – 24 W	12 VDC	0 – 2.00 A
PW-M015A-1Y160KZ	0 – 24 W	16 VDC	0 – 1.50 A
PW-M015A-1Y180KZ	0 – 24 W	18 VDC	0 – 1.34 A
PW-M015A-1Y240KZ	0 – 24 W	24 VDC	0 – 1.00 A
PW-M015A-1Y360KZ	0 – 24 W	36 VDC	0 – 0.67 A
PW-M015A-1Y480KZ	0 – 24 W	48 VDC	0 – 0.50 A

For complete adapter please state AC plug/s and DC connector with polarity. Code for AC plug is the letter Z. If Z=0: Desktop C8 style, Z=U: American plug, Z=E: Europe plug, Z=A: Australia plug and Z=K: UK plug.