

POWERSUPPLIES

PoE Injector with changeable AC plugs



- Complies with IEEE802.3af
- Three function LED indication for diagnostic
- 10/100Mb Base-T as standard
- Gigabit as option (AFG model)
- International approvals

Technical data:

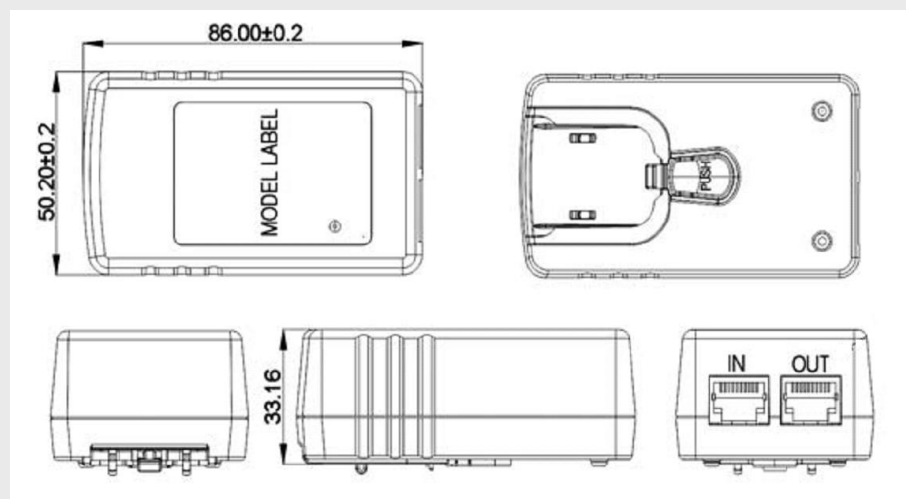
Input:

Input voltage: 90-264VAC
Frequency: 47-63 Hz
Input current max: 0.5A/240VAC
Input connection: Changeable AC plugs

Output:

Output voltage: 56VDC
Output current: 275mA
Line/load regulation: +/-4%
Ripple: 150mV max
Efficiency: 75%
Short circuit protection: Auto recovery
Temperature range: 0°C...+40°C
Connection: Double RJ45
Size: 80x45x33mm without AC plug
Weight: 95g without AC plug
Safety and EMC: UL/cUL/SAA/C-Tick/CE

Mechanical drawing:



Ordering information:

Type	Connection	Power	Output voltage	Current
POE16R-1AF	Changeable AC plugs	15.4 W	56 VDC	275mA
POE16R-1AFG	Changeable AC plugs	15.4 W	56 VDC	275mA

Changeable AC plugs are sold separately. AFG = Gigabit model