

MOTOR

Planetary Gear PKS30 with motor M28

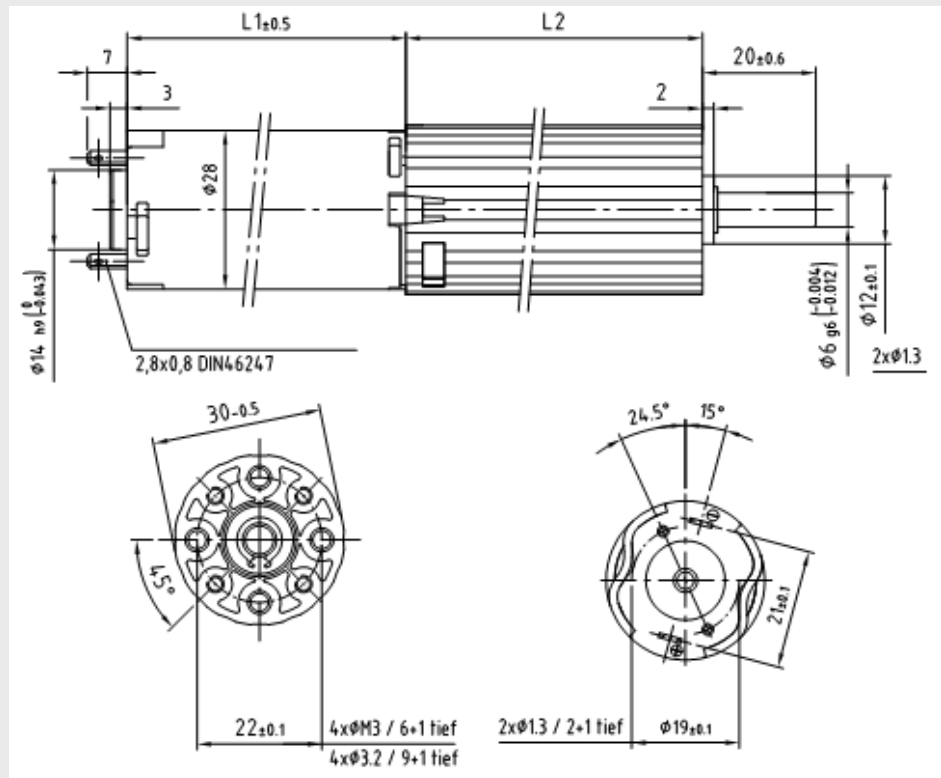


- High efficiency
- High ratio
- Compact gear

Technical data:

Max Continuous torque:	2,0 - 2,5 Nm
Recommended input-speed:	< 3000 rpm
Permissible axial load:	< 15 Nm
Permissible radial load:	< 45 Nm
Efficiency:	65 - 70 %
Temperature range:	- 15...+ 65°C
Length L2:	42,8 - 52,3 mm
Length L1:	70 mm

Dimensions:



Ratio $i=x:1$	Number of stages	Rpm	M28x20/S Continuous torque Ncm	M28x40/S Continuous torque Ncm
25	2	120	28	53
46	2	65	52	97
93	3	32	97	181
169	3	18	176	250*
308	3	10	250*	250*

*Motor must have current limiting

Order information:

Please contact us for more information and article number.