

MOTOR

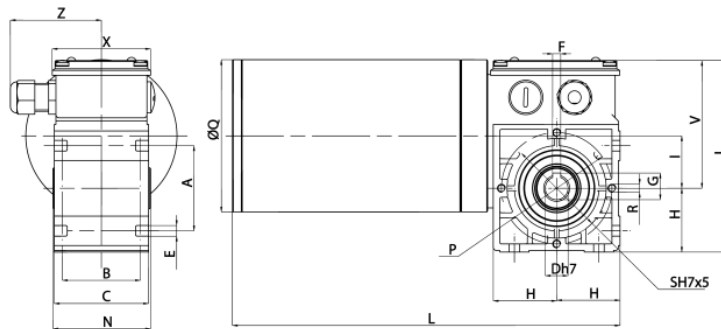
Asynchronous motor PCF, 130 W

- IP67 according to. DIN 40050
- High torque – Compact size
- Long life time – High quality
- Ideal for food industry
- CSA approved file no. 226757

Technical data:

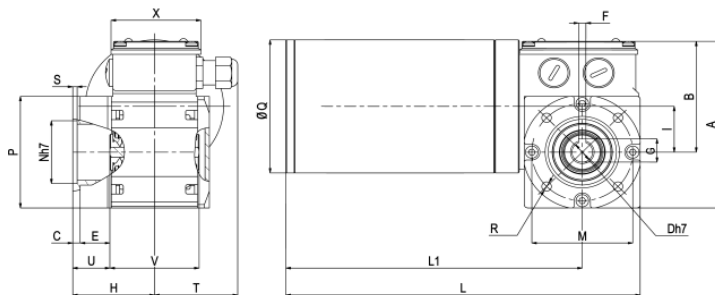
Voltage:	230 / 400 VAC / 50 Hz
Output power:	130W
Rated torque:	2,0 - 18 Nm
Output speed:	28 - 560 rpm
Current:	0,65 / 0,38 A
Approvals:	CE, cCSAus

Dimensions:



B3

Typ	A	B	C	D	E	F	G	H	I	L	M	N	P	Q	R	S	T	U	V	X	kg
PCF4T2	52	48	58	14	6,5	5	16,3	39	32	239	119	60	68	93	M5	61	56	5	80	60	5,470



B5/S

Typ	A	B	C	D	E	F	G	H	I	L	L1	M	N	P	Q	R	S	T	U	V	X	kg
PCF4T2	119	80	5	14	18,5	5	16,3	55	32	239	200	68	50	80	93	6,5	3	56	25	60	60	5,600

Order information:

The range offers more models than you can find here. Please contact us for more information.

