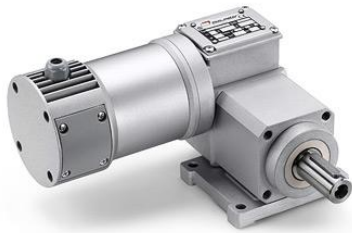


# MOTOR

## PM motor PCCE, 75-150W

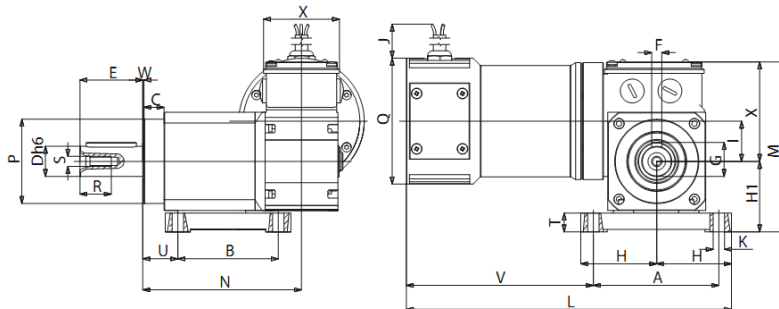


- IP65 according to EN 60529 as standard
- High torque – Compact size
- Low noise
- High torque and low speed
- CSA approved file no. 226757

### Technical data:

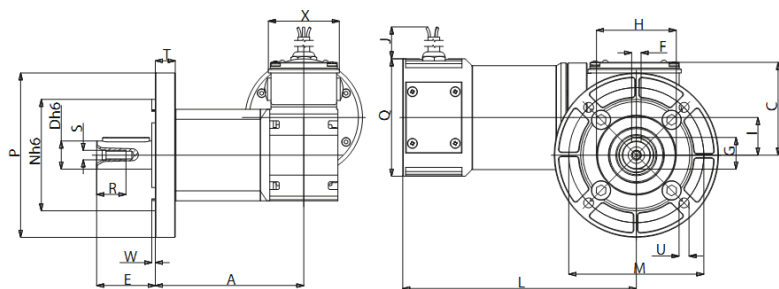
Voltage:	12 / 24 VDC
Output power:	75 - 150 W
Rated torque:	7,7 - 81 Nm
Output speed:	6 - 84 rpm
Current:	4,8 - 19,2 A
Approvals:	CE, cCSAus

### Dimensions:



### B3/S

Typ	A	B	C	D	E	F	G	H	H1	J	K	I	L	M	N	P	Q	R	S	T	U	V	W	X	Weight kg
PCCE...MP3N	100	80	16	24	50	8	27	60	56	520	9	32	259	136	127	67	100	22	M8	15	28	149	1	60	8,050
PCCE...MP4N	100	80	16	24	50	8	27	60	56	520	9	32	309	136	127	67	100	22	M8	15	28	199	1	60	9,945



### B5/S

Typ	A	C	D	E	F	G	H	I	J	L	M	N	P	Q	R	S	T	U	W	X	Weight kg
PCCE...MP3N	127	80	24	50	8	27	67	32	520	199	115	95	140	100	22	M8	17	9	3	60	8,060
PCCE...MP4N	127	80	24	50	8	27	67	32	520	249	115	95	140	100	22	M8	17	9	3	60	9,955

### Order information:

The range offers more models that you can find here. Please contact us for more information.