

MOTOR

PM motor PCC, 75-150 W

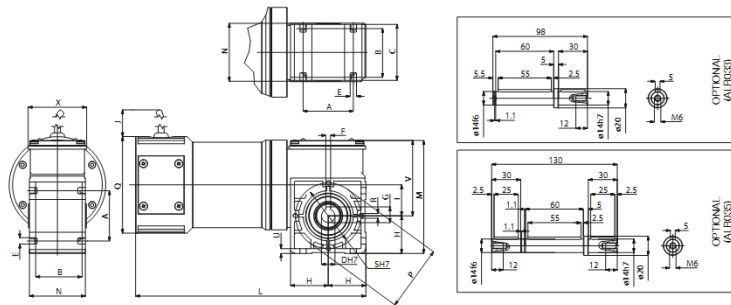


- IP65 according to EN 60529 as standard
- High torque – Compact size
- Low noise
- Encoder and brake as option
- CSA approved file no. 226757

Technical data:

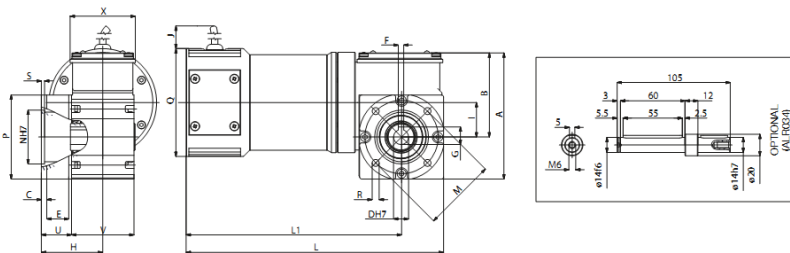
Voltage:	12 / 24 VDC
Output power:	75 - 150 W
Rated torque:	1,7 - 17,4 Nm
Output speed:	28 - 400 rpm
Current:	4,8 - 19,2 A
Approvals:	CE, cCSAus

Dimensions:



B3

Typ	A	B	C	D	E	F	G	H	I	J	L	M	N	P	Q	R	S	U	V	X	Weight kg
PCC...MP3N	52	48	58	14	6,5	5	16,3	39	32	520	238	119	60	68	100	M5	61	5	80	60	4,560
PCC...MP4N	52	48	58	14	6,5	5	16,3	39	32	520	288	119	60	68	100	M5	61	5	80	60	6,455



B5/S

Typ	A	B	C	D	E	F	G	H	I	J	L	L1	M	N	P	Q	R	S	U	V	X	Weight kg
PCC...MP3N	119	80	5	14	18,5	5	16,3	55	32	520	238	199	68	50	80	100	6,5	3	25	60	60	4,690
PCC...MP4N	119	80	5	14	18,5	5	16,3	55	32	520	288	249	68	50	80	100	6,5	3	25	60	60	6,585

Order information:

The range offers more models than you can find here. Please contact us for more Information