

MOTOR

Asynchronous motor PAF, 130 W

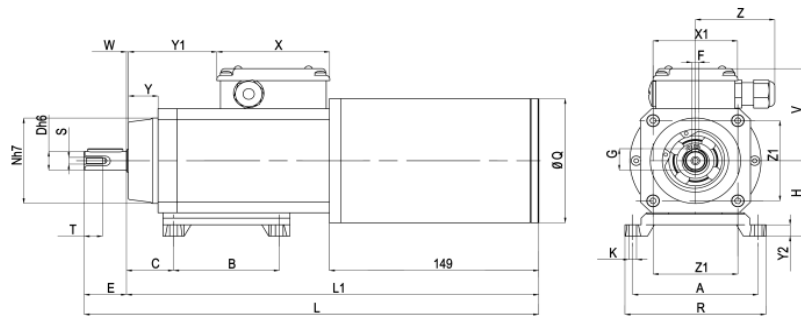


- IP67 according to. DIN 40050
- High torque – Compact size
- Long life time – High quality
- Ideal for food industry
- CSA approved file no. 226757

Technical data:

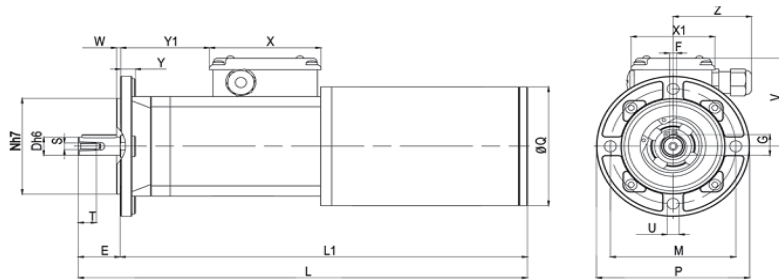
Voltage:	230 / 400 VAC / 50 Hz
Output power:	130W
Rated torque:	2,8 - 20 Nm
Speed:	7,5 - 432 rpm
Current:	0,65 / 0,38 A
Approvals:	CE, cCSAus

Dimensions:



B3

Typ	A	B	C	D	E	F	G	H	K	L	L1	N	Q	R	S	T	V	X	X1	Y	Y1	Y2	W	Z	Z1	kg
PAF4T2	89	75	33	14	30	5	16,3	56	5,5	323	293	64	93	100	M5	13	71	80	60	21	64	9	1,5	56	60	6,150



B5

Typ	D	E	F	G	L	L1	M	N	P	Q	S	T	U	V	X	X1	Y	Y1	W	Z	kg
PAF4T2	14	30	5	16,3	323	293	90	75	110	93	M5	13	8,5	71	80	60	10,5	65	3	56	6,180

Order information:

The range offers more models than you can find here. Please contact us for more information.