

MOTOR



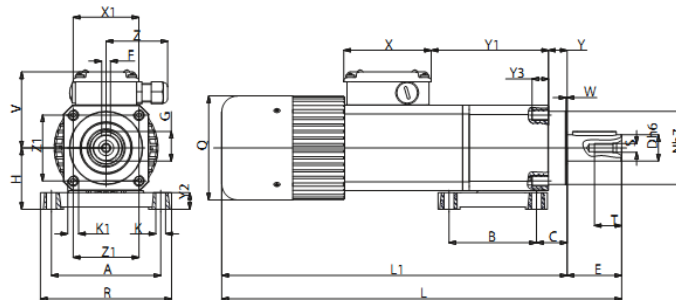
Asynchronous motor PAE, 34-180 W

- IP65 according to EN 60529 as standard
- High torque – Compact size
- Long life time – High quality
- Encoder and brake as option
- CSA approved file no. 226757

Technical data:

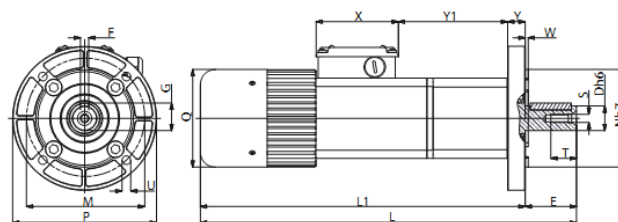
Voltage:	115 - 400 VAC/ 50 - 60 Hz
Output power:	34 - 180 W
Rated torque:	9 - 90 Nm
Output speed:	0,7 - 57 rpm
Current:	0,19 - 1,03 A
Approvals:	CE, cCSAus

Dimensions:



B3

Typ	A	B	C	D	E	F	G	H	K	K1	L	L1	N	Q	R	S	T	V	X	X1	Y	Y1	Y2	Y3	W	Z	Z1	Weight kg
PAE...M2	100	80	28	24	50	8	27	56	9	M10	367	317	67	95	120	M8	22	71	80	60	17	108	15	15	1	56	60	6,990
PAE...M3	100	80	28	24	50	8	27	56	9	M10	392	342	67	95	120	M8	22	71	80	60	17	108	15	15	1	56	60	7,750



B5

Typ	D	E	F	G	L	L1	M	N	P	Q	S	T	U	X	Y	Y1	W	Weight kg
PAE...M2	24	50	8	27	367	317	115	95	140	95	M8	22	9	80	17	108	3	7,000
PAE...M3	24	50	8	27	392	342	115	95	140	95	M8	22	9	80	17	108	3	7,760

Order information:

The range offers more models than you can find here. Please contact us for more information.