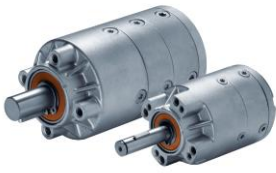


MOTOR

Planetary Gear P52I with motor M63

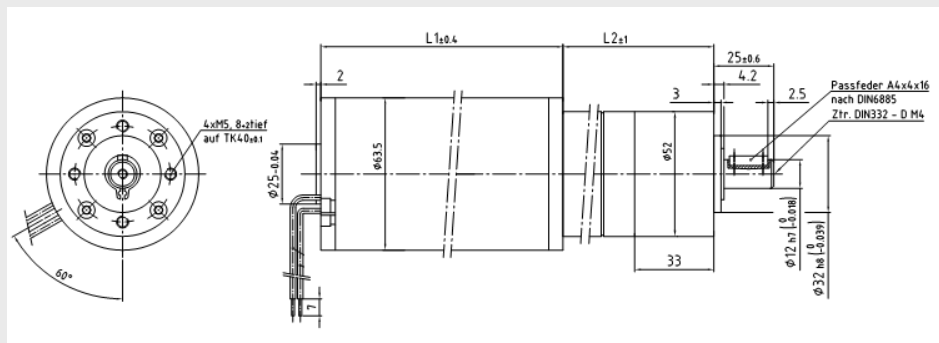


- High efficiency
- High ratio
- Compact gear

Technical data:

Max continuous torque:	4,0 - 25,0 Nm
Recommended input-speed:	< 3000 rpm
Permissible axial load:	60 - 150 N
Permissible radial load:	200 - 450 N
Efficiency:	70 - 80 %
Temperature range:	- 30...+ 140 °C
Length L2:	55,3 - 83,7 mm
Length L1:	95 - 130 mm

Dimensions:



Ratio $i=x:1$	Number of stages	Rpm	M63x25/I Continuous torque Ncm	M63x40/I Continuous torque Ncm	M63x60/I Continuous torque Ncm	M63x60/I12V Continuous torque Ncm
4	1	750	45	58	96	70
7	1	429	78	101	168	123
14	2	214	147	189	315	231
25	2	120	263	338	563	413
46	3	65	483	621	1035	759
93	3	32	911	1172	1953	1432
169	3	18	1656	2129	2500*	2500*
308	3	10	2500*	2500*	2500*	2500*

*Motor must have current limiting

Order information:

Please contact us for more information and article number.