

# MOTOR

## Planetary Gear P42I with motor M48

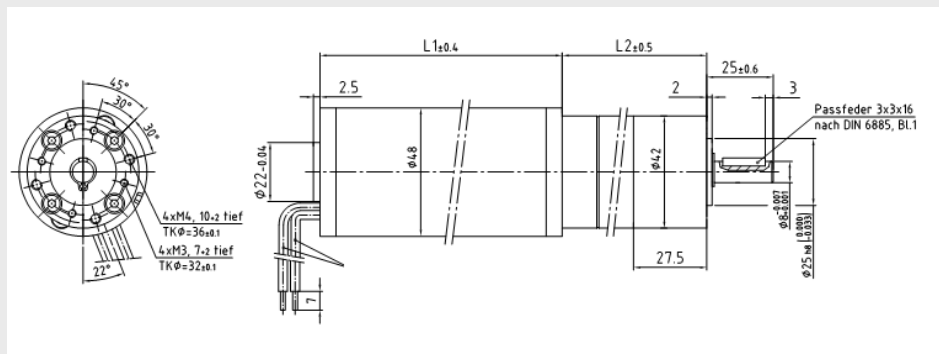


- High efficiency
- High ratio
- Compact gear

### Technical data:

Max continuous torque:	3,0 - 15,0 Nm
Recommended input-speed:	< 3000 v-min
Permissible axial load:	50 - 110 N
Permissible radial load:	160 - 300 N
Efficiency:	70 - 80 %
Temperature range:	- 40...+ 140 °C
Length L2:	49,1 - 75,3 mm
Length L1:	91 - 126 mm

### Dimensions:



Ratio $i=x:1$	Number of stages	Rpm	M48x25/I Continuous torque Ncm	M48x50/I Continuous torque Ncm	M48x60/I Continuous torque Ncm
4	1	750	16	32	48
7	1	429	28	56	84
14	2	214	53	105	158
25	2	120	94	188	281
46	3	65	173	345	518
93	3	32	326	651	977
169	3	18	592	1183	1500*
308	3	10	1078	1500*	1500*

\*Motor must have current limiting

### Order information:

Please contact us for more information and article number.