

# MOTOR

## Planetary Gear P32I with motor M42

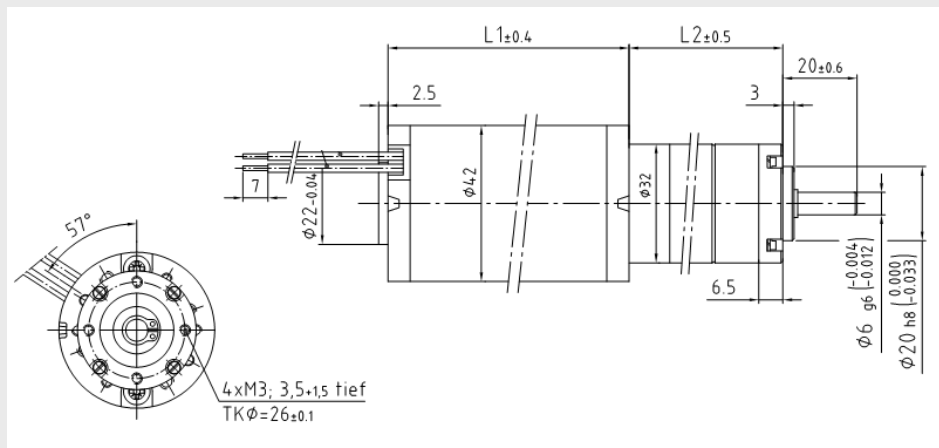


- High efficiency
- High ratio
- Compact gear

### Technical data:

Max continuous torque:	0,75 - 4,5 Nm
Recommended input-speed:	< 3000 rpm
Permissible axial load:	10 - 30 N
Permissible radial load:	40 - 100 N
Efficiency:	70 - 80 %
Temperature range:	- 30...+ 140 °C
Length L2:	32,3 - 51,3 mm
Length L1:	51 - 70 mm

### Dimensions:



Ratio $i=x:1$	Number of stages	Rpm	M42x15/I Continuous torque Ncm	M42x20/I Continuous torque Ncm	M42x30/I Continuous torque Ncm	M42x40/I Continuous torque Ncm
4	1	750	13	16	21	29
7	1	429	22	28	36	50
14	2	214	42	53	68	95
25	2	120	75	94	122	169
46	2	65	138	173	224	225*
93	3	32	260	326	423	450*
169	3	18	450*	450*	450*	450*
308	3	10	450*	450*	450*	450*

\*Motor must have current limiting

### Order information:

Please contact us for more information and article number.