

MOTOR

Planetary Gear P32I with motor M36

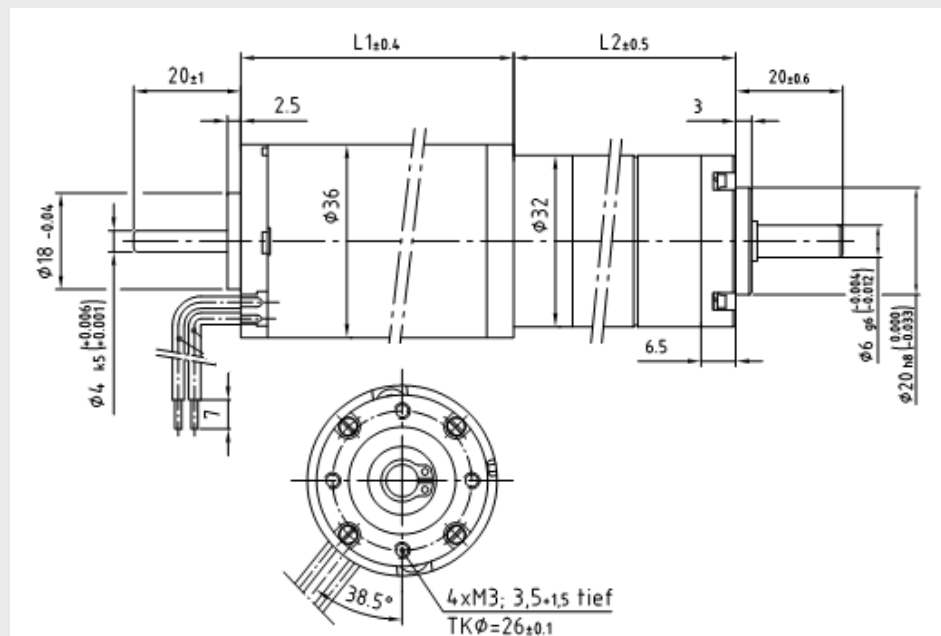


- High efficiency
- High ratio
- Compact gear

Technical data:

Max continuous torque:	0,75 - 4,5 Nm
Recommended input-speed:	< 3000 rpm
Permissible axial load:	10 - 30 N
Permissible radial load:	40 - 100 N
Efficiency:	70 - 80 %
Temperature range:	- 30...+ 140 °C
Length L2:	32,3 - 51,3 mm
Length L1:	51 - 70 mm

Dimensions:



Ratio i=x:1	Number of stages	Rpm	M36x13/I Continuous torque Ncm	M36x20/I Continuous torque Ncm	M36x30/I Continuous torque Ncm
4	1	750	5	10	13
7	1	429	8	17	22
14	2	214	16	32	42
25	2	120	28	56	75
46	2	65	52	104	138
93	3	32	98	195	260
169	3	18	177	355	450*
308	3	10	323	450*	450*

*Motor must have current limiting

Order information:

Please contact us for more information and article number.