

MOTOR

Planetary Gear P32I with motor M32

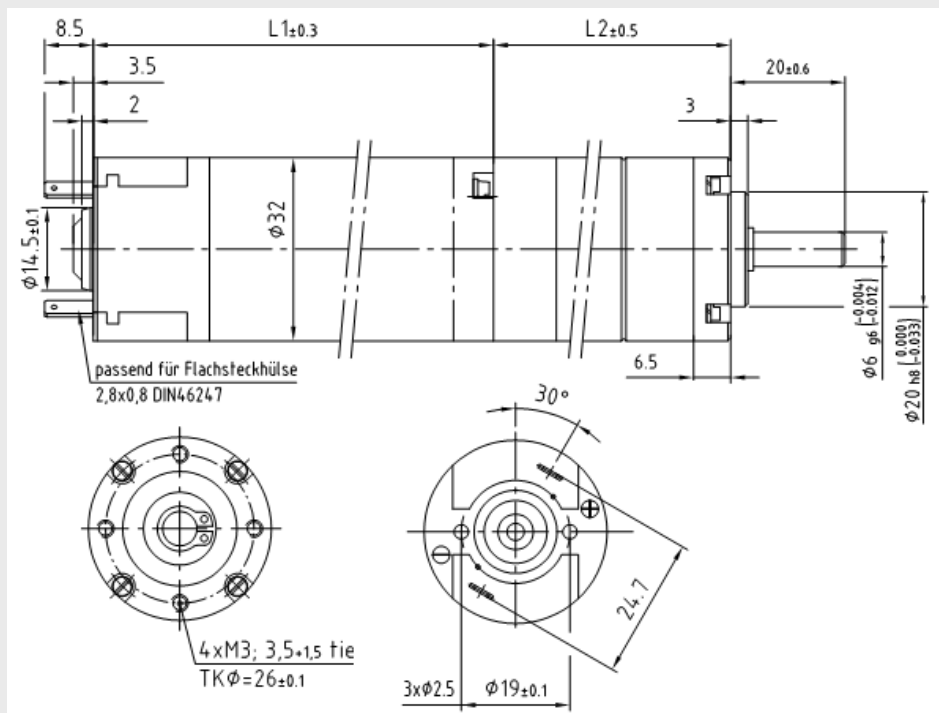


- High efficiency
- High ratio
- Compact gear

Technical data:

Max continuous torque:	0,75 - 4,5 Nm
Recommended input-speed:	< 3000 rpm
Permissible axial load:	10 - 30 N
Permissible radial load:	40 - 100 N
Efficiency:	70 - 80 %
Temperature range:	- 30...+ 140 °C
Length L2:	32,3 - 51,3 mm
Length L1:	76 mm

Dimensions:



Ratio $i=x:1$	Number of stages	Rpm	M32x30/I Continuous torque Ncm
4	1	750	8
7	1	429	14
14	2	214	26
25	2	120	47
46	2	65	86
93	3	32	163
169	3	18	296
308	3	10	450*

*Motor must have current limiting

Order information:

Please contact us for more information and article number