

MOTOR

Synchronous motor MTR8cW, 4,6-7,3W

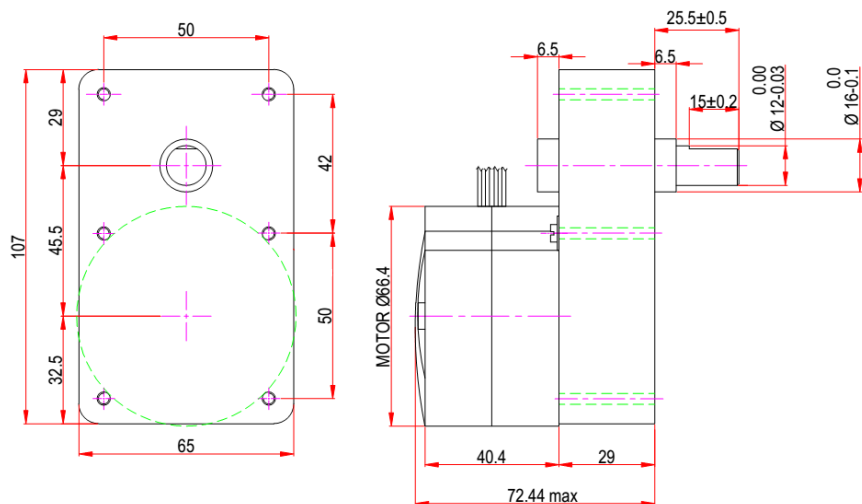


- Long lifetime
- Ratio 25/3-400:1
- Constant speed
- Customization on request

Technical data:

Voltage:	24 - 230 VAC / 50-60 Hz
Output power:	4,6W (90 min) 7,3W (60 min) Intermittent duty cycle
Mx torque gearbox:	15 Nm
Motor speed:	375 rpm / 50Hz. 450 rpm / 60Hz
Axial thrust:	400 N
Radial force:	600 N
Weight:	1000 g

Dimensions:



Order information:

The range offers more models than you can find here. Please contact us for more information.