

MOTOR

Synchronous motor MTR4b7, 1,41W

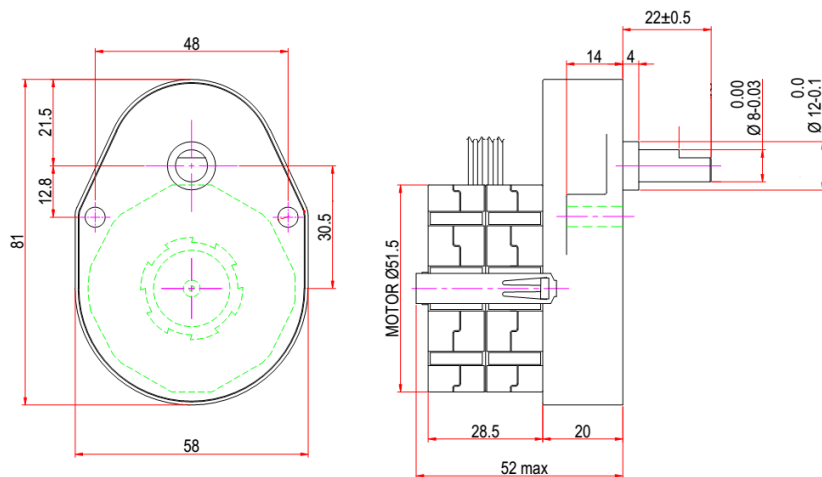


- Long lifetime
- Ratio 25/3-2000:1
- Constant speed
- Customization on request

Technical data:

Voltage:	24 - 230 VAC /50-60 Hz
Output power:	1,41 W
Max torque gearbox:	5 Nm
Motor speed:	500 rpm / 50Hz. 600 rpm / 60Hz
Axial thrust:	100 N
Radial force:	400 N
Weight:	500 g

Dimensions:



Order information:

The range offers more models than you can find here. Please contact us for more information.