

# MOTOR

## Synchronous motor MT6b5P, 0,77W

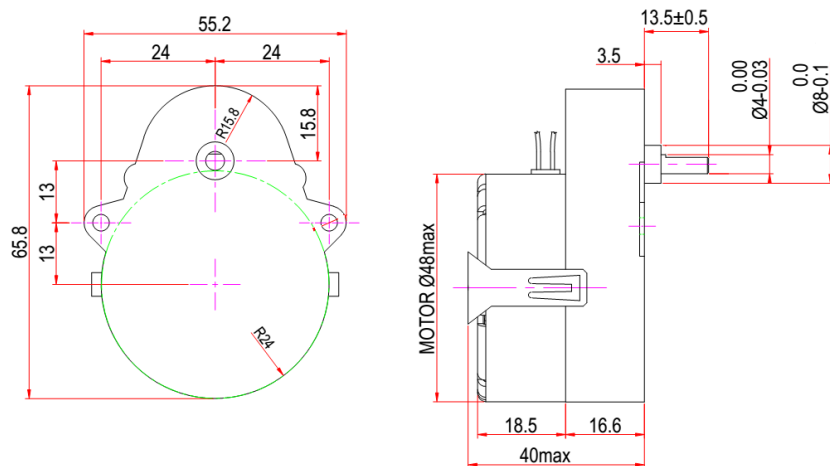


- Long lifetime
- Ratio 25/3-540000:1
- Constant speed
- Customization on request

### Technical data:

Voltage:	12 - 230 VAC / 50-60 Hz
Output power:	0,77 W
Max torque gearbox:	1 Nm
Motor speed:	500 rpm / 50Hz. 600 rpm / 60Hz
Axial thrust:	20 N
Radial force:	60 N
Weight:	160 g

### Dimensions:



### Order information:

The range offers more models than you can find here. Please contact us for more information.