

MOTOR

Asynchronous motor MCF, 31W

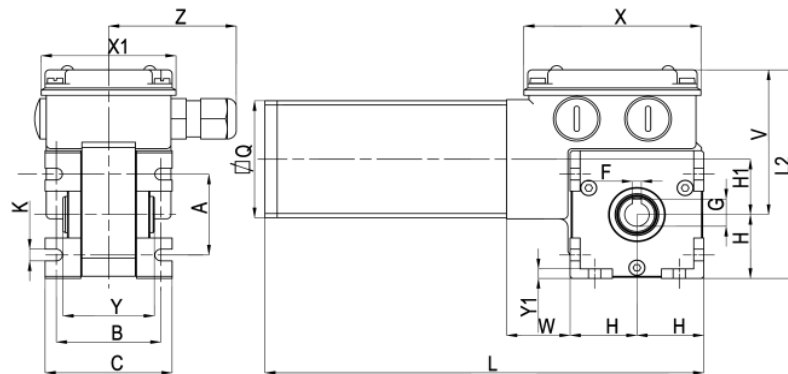


- IP67 according to DIN 40050
- High torque – Compact size
- Long life time – High quality
- Ideal for food industry
- CSA approved file no. 226757

Technical data:

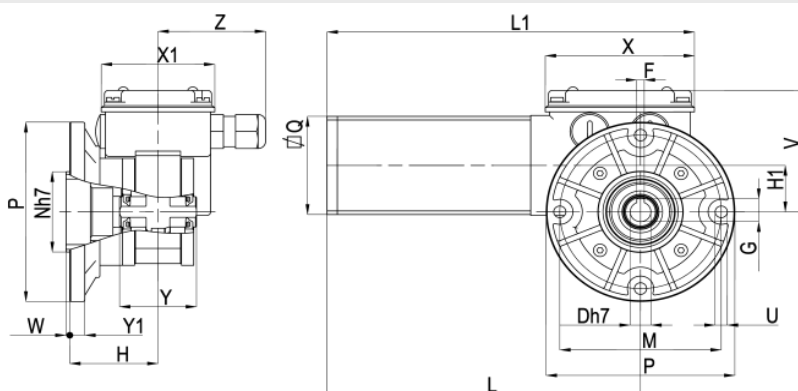
Voltage:	230 / 400 V / 50 Hz
Output power:	31 W
Rated torque:	0,5 - 5 Nm
Output speed:	35 - 560 rpm
Current:	0,30 / 0,17 A
Approvals:	CE, cCSAus

Dimensions:



B3

Typ	A	B	C	D	F	G	H	H1	K	L	L2	Q	V	X	X1	Y	Y1	W	Z	kg
MCF2T2	38	47	58	11	4	12,8	30	26	5,5	197	99	55	69	80	60	41	6	28	56	2,200



B5/S

Typ	D	F	G	H	H1	L	L1	M	N	P	Q	U	V	X	X1	Y	Y1	W	Z	Z1	kg
MCF2T2	11	4	12,8	47	26	167	196	86	45	100	55	6,5	69	80	60	41	8	2	56	40	2,400

Order information:

The range offers more models than you can find here. Please contact us for more information.