

# MOTOR

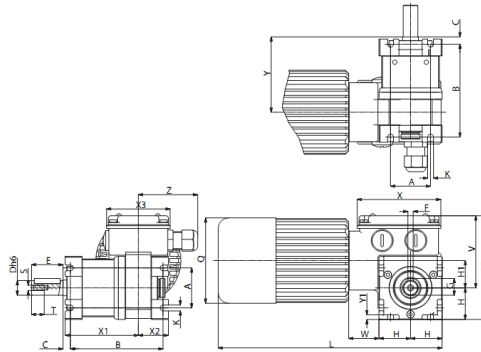
## Asynchronous motor MCE, 14-180 W

- IP65 according to EN 60529 as standard
- High torque – Compact size
- Long lifetime – High quality
- Encoder and brake as option
- CSA approved file no. 226757

### Technical data:

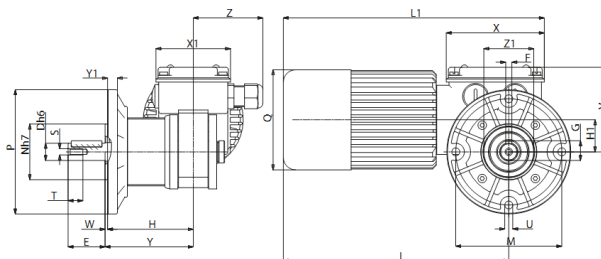
Voltage:	115 - 400 VAC/ 50 - 60 Hz
Output power:	14 - 180 W
Rated torque:	3,4 - 23,5 Nm
Output speed:	3,5 - 74 rpm
Current:	0,14 - 1,03 A
Approvals:	CE, cCSAus

### Dimensions:



### B3/S

Typ	A	B	C	D	E	F	G	H	H1	K	L	L1	Q	S	T	V	W	X	X1	X2	X3	Y	Y1	Z	Weight kg	
MCE...P	38	88	7	14	30	5	16	30	26	5,5	193	99	81	M5	10	69	28	80	70	29	60	72	6	56	56	2,965
MCE...P2	38	88	7	14	30	5	16	30	26	5,5	213	99	81	M5	10	69	28	80	70	29	60	72	6	56	56	3,275
MCE...P3	38	88	7	14	30	5	16	30	26	5,5	251	99	95	M5	10	69	28	80	70	29	60	72	6	56	56	4,365



### B5/S

Typ	D	E	F	G	H	H1	L	L1	M	N	P	Q	S	T	U	V	W	X	X1	Y	Y1	Z	Z1	Weight kg	
MCE...P	14	30	5	16	69	26	163	191	86	45	100	81	M5	10	6,5	69	2	80	60	71	8	56	40	40	3,040
MCE...P2	14	30	5	16	69	26	183	211	86	45	100	81	M5	10	6,5	69	2	80	60	71	8	56	40	40	3,350
MCE...P3	14	30	5	16	69	26	221	249	86	45	100	81	M5	10	6,5	69	2	80	60	71	8	56	40	40	4,440

### Order information:

The range offers more models than you can find here, Please contact us for more information.

