

MOTOR

PM motor MCCE, 37-150 W



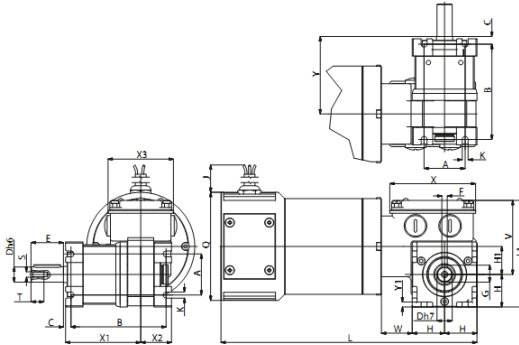
- IP65 according to EN 60529 as standard
- High torque – Compact size
- Low noise
- Encoder and brake as option
- CSA approved file no. 226757

Technical data:

Voltage:	12 / 24 VDC
Output power:	37 - 150 W
Rated torque:	2,8 - 23,5 Nm
Output speed:	7,6 - 74 rpm
Current:	2,5 - 19,2 A
Approvals:	CE, cCSAus

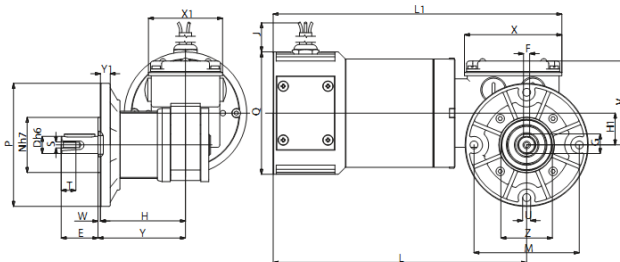


Dimensions:



B3/S

Typ	A	B	C	D	E	F	G	H	H1	J	K	L	L1	Q	S	T	V	W	X	X1	X2	X3	Y	Y1	Weight kg
MCCE...MP3N	38	88	7	14	30	5	16	30	26	520	5,5	235	99	100	M5	10	69	28	80	70	29	60	72	6	4,990
MCCE...MP4N	38	88	7	14	30	5	16	30	26	520	5,5	285	99	100	M5	10	69	28	80	70	29	60	72	6	6,895



B5/S

Typ	D	E	F	G	H	H1	J	L	L1	M	N	P	Q	S	T	U	V	W	X	X1	Y	Y1	Z	Weight kg
MCCE...MP3N	14	30	5	16	69	26	520	205	234	86	45	100	100	M5	10	6,5	69	2	80	60	71	8	40	5,065
MCCE...MP4N	14	30	5	16	69	26	520	255	284	86	45	100	100	M5	10	6,5	69	2	80	60	71	8	40	6,970

Order information:

The range offers more models than you find here. Please contact us for more information.