

MOTOR

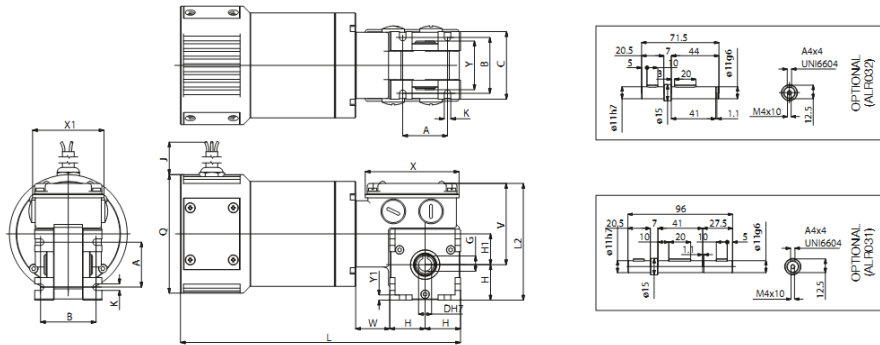
PM motor MCC, 37-150 W

- IP65 according to. EN 60529 as standard
- High torque – Compact size
- Low noise
- Encoder and brake as option
- CSA approved file no. 226757

Technical data:

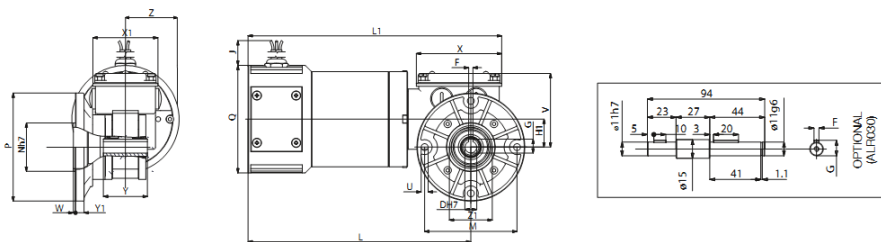
Voltage:	12 / 24 VDC
Output power:	37 - 150 W
Rated torque:	0,6 - 9 Nm
Output speed:	36 - 373 rpm
Current:	2,5 - 19,2 A
Approvals:	CE, cCSAus

Dimensions:



B3

Typ	A	B	C	D	F	G	H	H1	J	K	L	L2	Q	V	X	X1	Y	Y1	W	Weight kg
MCC...MP3N	38	47	58	11	4	12,8	30	26	520	5,5	235	99	100	69	80	60	41	6	28	4,155
MCC...MP4N	38	47	58	11	4	12,8	30	26	520	5,5	285	99	100	69	80	60	41	6	28	6,060



B5/S

Typ	D	F	G	H	H1	J	L	L1	M	N	P	Q	U	V	X	X1	Y	Y1	W	Z	Z1	Weight kg
MCC...MP3N	11	4	12,8	47	26	520	205	234	86	45	100	100	6,5	69	80	60	41	8	2	56	40	4,355
MCC...MP4N	11	4	12,8	47	26	520	255	284	86	45	100	100	6,5	69	80	60	41	8	2	56	40	6,260

Ordering information:

The range offers more models than you can find here. Please contact us for more information.

