

MOTOR



Alles außer Stillstand.

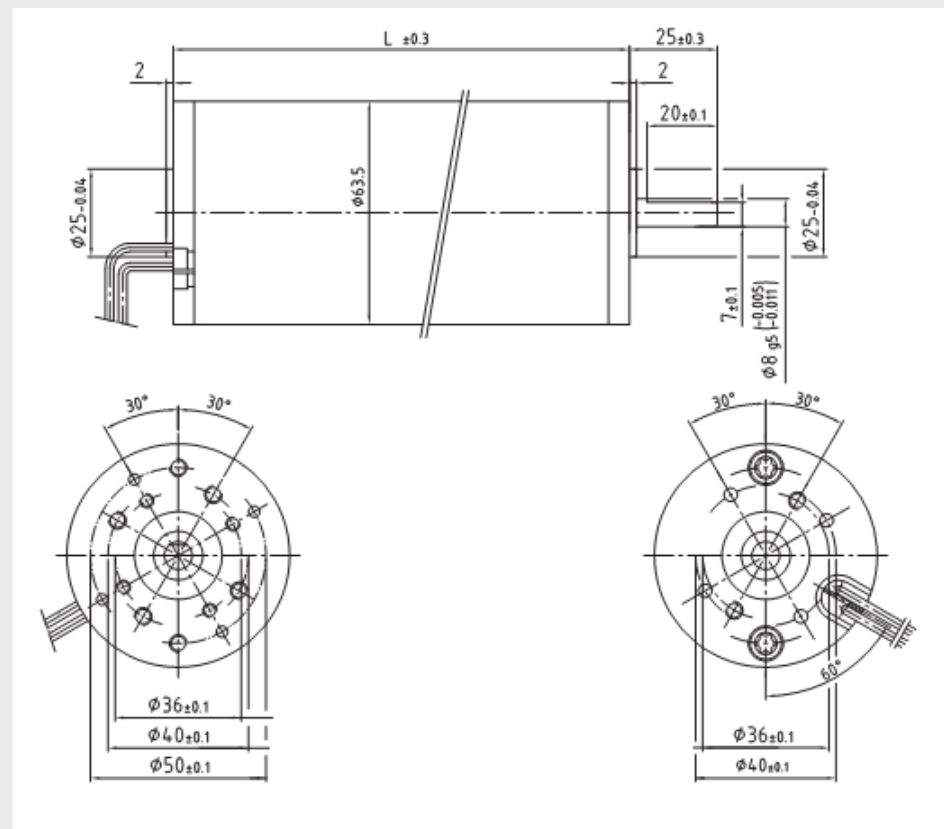
DC-motor, M63x25, x40, x60

- Permanent magnet motor
- Graphit-copper brushes
- Ball bearings
- Motor housing zinc plated

Technical data:

Voltage:	12 / 24 VDC
Output power:	48 - 94,2 W
Rated torque:	14 - 30 Ncm
Motor speed:	2550 - 3300 rpm
Current:	2,84 - 7,90 A
Torque constant:	2,8 - 6,5 Ncm / A
Rotor inertia:	596 - 1209 gcm ²
Weight:	1,16 - 1,73 kg
Length:	95 - 130 mm
Axial load:	110 N
Radial load:	300 N

Dimensions:



Order information:

Please contact us for more information and article number.