

MOTOR



KAG
Alles außer Stillstand.

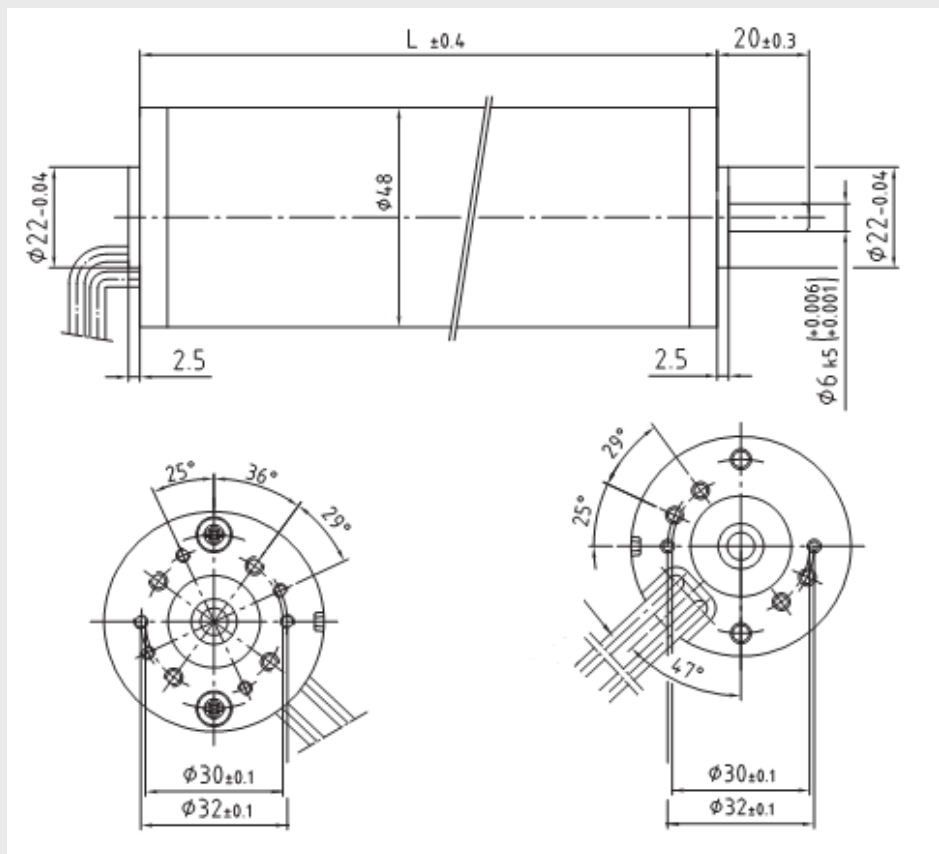
DC-motor, M48x25, x50, x60

- Permanent magnet motor
- Graphit-copper brushes
- Ball bearings
- Motor housing zinc plated

Technical data:

Voltage:	12 / 24 VDC
Output power:	14,7 - 51,8 W
Rated torque:	5 - 15 Ncm
Motor speed:	2800 - 3300 rpm
Current:	0,8 - 5,15 A
Torque constant:	3,2 - 7,7 Ncm / A
Rotor inertia:	165 - 383 gcm ²
Weight:	0,65 - 0,98 kg
Length:	91 - 126 mm
Axial load:	40 N
Radial load:	100 N

Dimensions:



Order information:

Please contact us for more information and article number