

MOTOR

DC-motor, M42x10, x15, x20

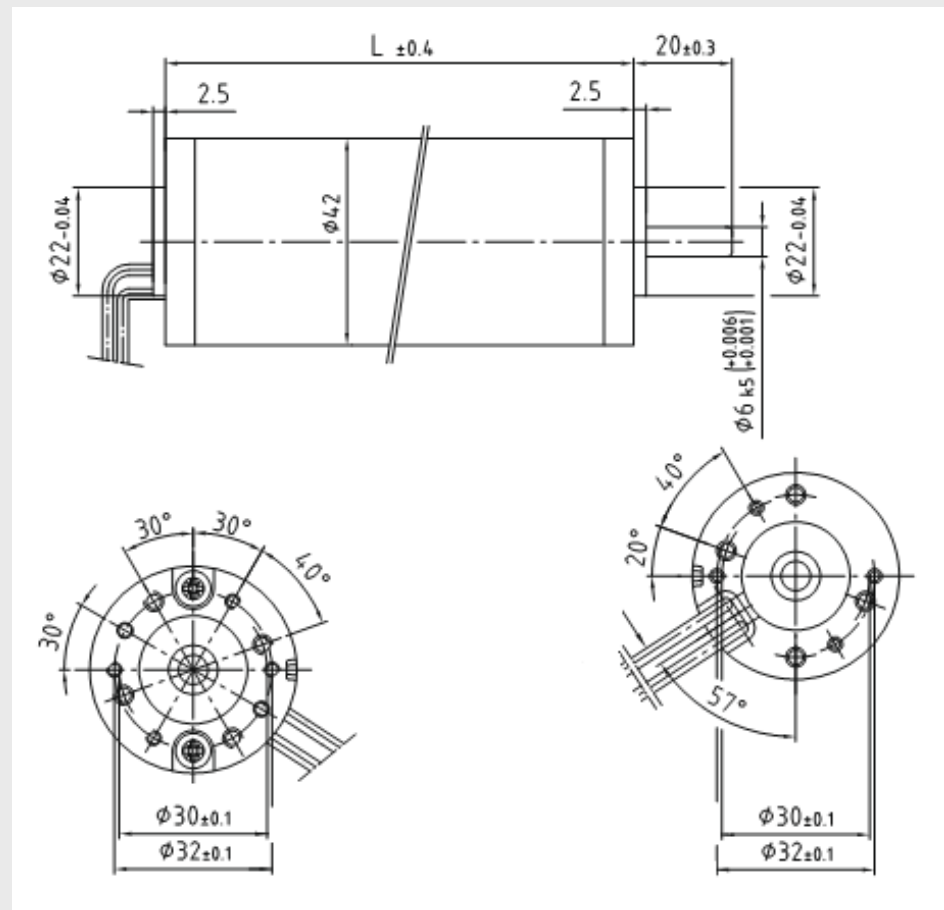


- Permanent magnet motor
- Graphit-copper brushes
- Ball bearing
- Motor housing zinc plated

Technical data:

Voltage:	12 / 24 VDC
Output power:	7,3 - 17,8 W
Rated torque:	2,5 - 5,0 Ncm
Motor speed:	2800 - 3400 rpm
Current:	0,6 - 2,5 A
Torque constant:	2,3 - 5,2 Ncm / A
Rotor inertia:	38 - 74 gcm ²
Weight:	0,34 - 0,42 kg
Length:	65 - 75 mm
Axial load:	40 N
Radial load:	100 N

Dimensions:



Order information:

Please contact us for more information and article number.