

MOTOR



K.A.G.
Alles außer Stillstand.

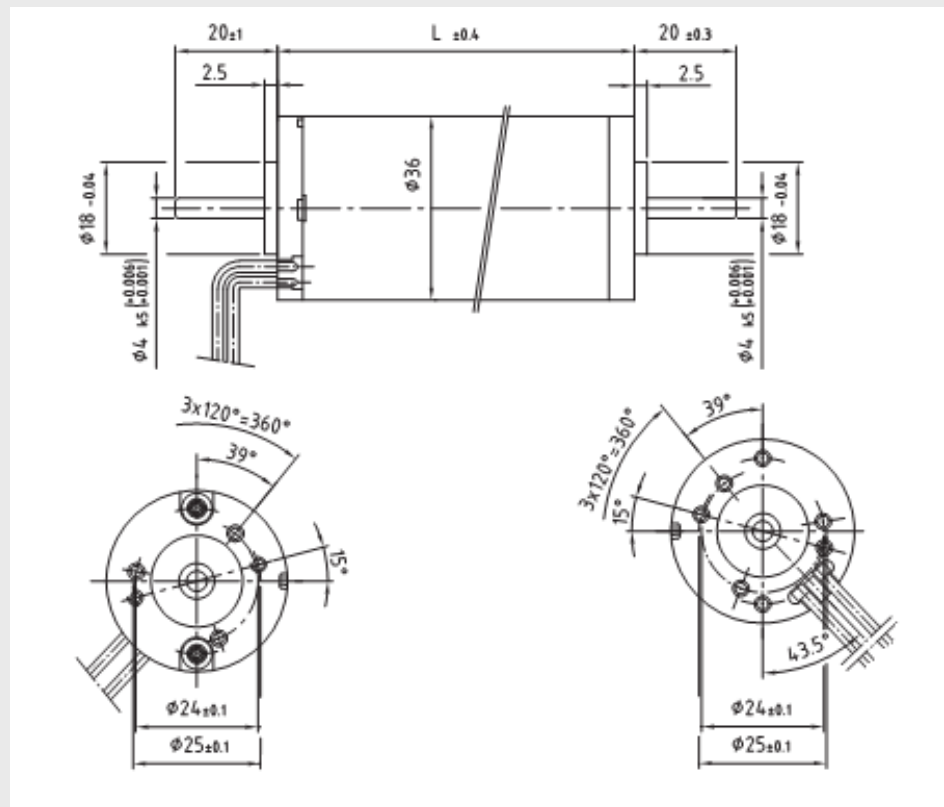
DC-motor, M36x13, x20, x30

- Permanent magnet motor
- Graphit-copper brushes
- Ball bearings
- Motor housing zinc plated

Technical data:

Voltage:	12 / 24 VDC
Output power:	4,7 - 13,4 W
Rated torque:	1,5 - 4,0 Ncm
Motor speed:	2900 - 3200 rpm
Current:	0,37 - 1,72 A
Torque constant:	2,5 - 5,6 Ncm / A
Rotor inertia:	25 - 53 gcm ²
Weight:	0,20 - 0,30 kg
Length:	51 - 70 mm
Axial load:	30 N
Radial load:	80 N

Dimensions:



Order information:

Please contact us for more information and article number.