

# MOTOR



**K.A.G.**  
Alles außer Stillstand.

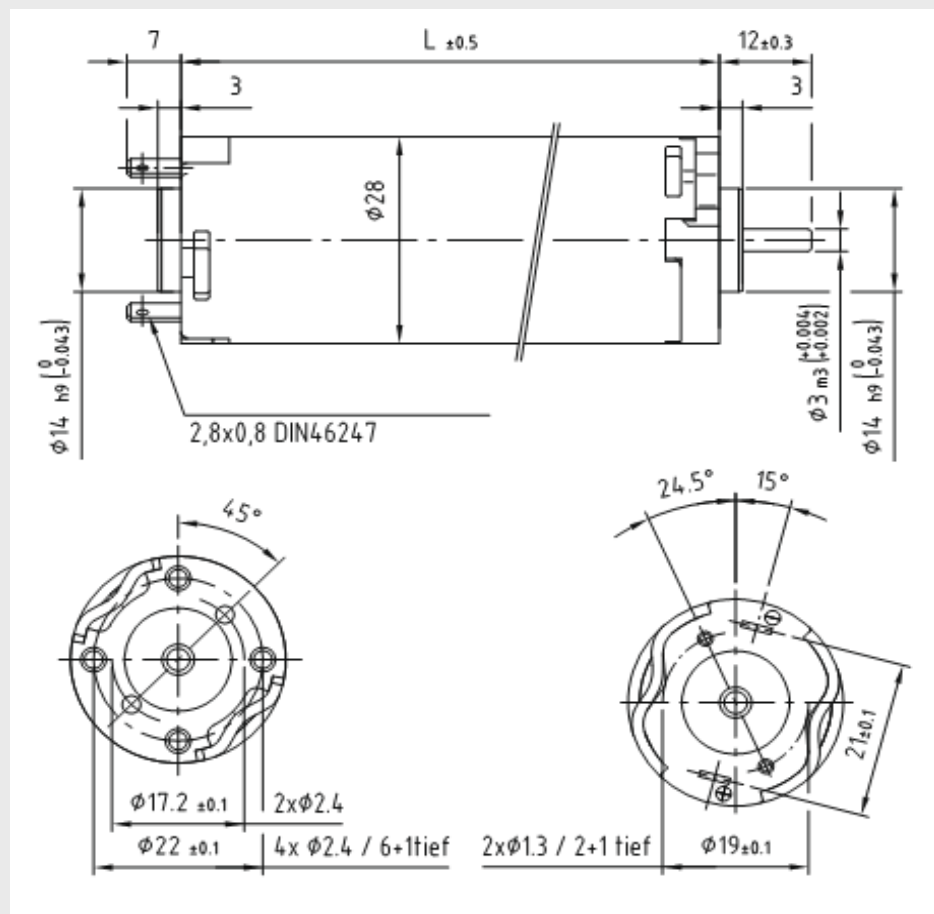
## DC-motor, M28x10, x20, x40

- Permanent magnet motor
- Graphit-copper brushes
- Sleeve bearings
- Motor housing zinc plated

### Technical data:

Voltage:	12 / 24 VDC
Output power:	2,5 - 9,7 W
Rated torque:	0,8 - 3 Ncm
Motor speed:	3000 / 3950 rpm
Current:	0,38 / 1,50 A
Torque constant:	1,7 4,2 Ncm / A
Rotor inertia	7,0 - 24 gcm <sup>2</sup>
Weight:	0,07 - 0,17 kg
Length:	40 - 70 mm
Axial load:	5 N
Radial load:	20 N

### Dimensions:



### Order information:

Please contact us for more information and article number