

POWERSUPPLIES

GSM36E, Switching adapter 36W for medical use



- Certified acc. to EN60601-1, 3rd edition and EN60601-1-11
- 2 x MOPP between primary side and secondary side
- ErP & CEC efficiency regulation compliance
- Low leakage current, <50uA
- 3 year warranty

Technical data:

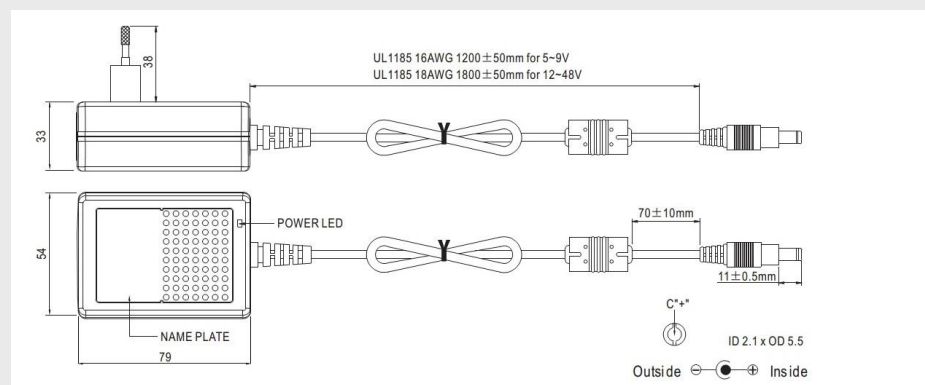
Input:

Input voltage:	90-264VAC
Frequency:	47-63 Hz
Input current:	0.45A @230VAC
Inrush current max:	55A @230VAC
Leakage current:	<50uA

Output:

Output voltage:	See below table
Output current:	See below table
Load regulation:	+/-2-6%
Line regulation:	+/-1%
Ripple:	80-240mVp-p
Hold up time:	16ms at full load
Efficiency:	80-88%
Protection:	Short circuit and over voltage protection
Temperature range:	-25°C...+60°C, derating applies depending on model
Plug and cable:	UL1185 cable 1200mm 16AWG for 5-9V and 1800mm 18AWG for 12-48V, DC plug 2.1x5.5x11mm (centre +) Other DC plugs upon request
Size:	79x54x33mm
Weight adapter:	230g
Safety and EMC:	CE/TUV/CB

Dimension:



Ordering information:

Type	Power	Output voltage	Current
GSM36E05-P1J	22.5 W	5 VDC	4.5 A
GSM36E07-P1J	32.4 W	7.5 VDC	4.32 A
GSM36E09-P1J	36 W	9 VDC	4.0 A
GSM36E12-P1J	36 W	12 VDC	3.0 A
GSM36E15-P1J	36 W	15 VDC	2.4 A
GSM36E18-P1J	36 W	18 VDC	2.0 A
GSM36E24-P1J	36 W	24 VDC	1.5 A
GSM36E48-P1J	36 W	48 VDC	0.75 A