

MOTOR



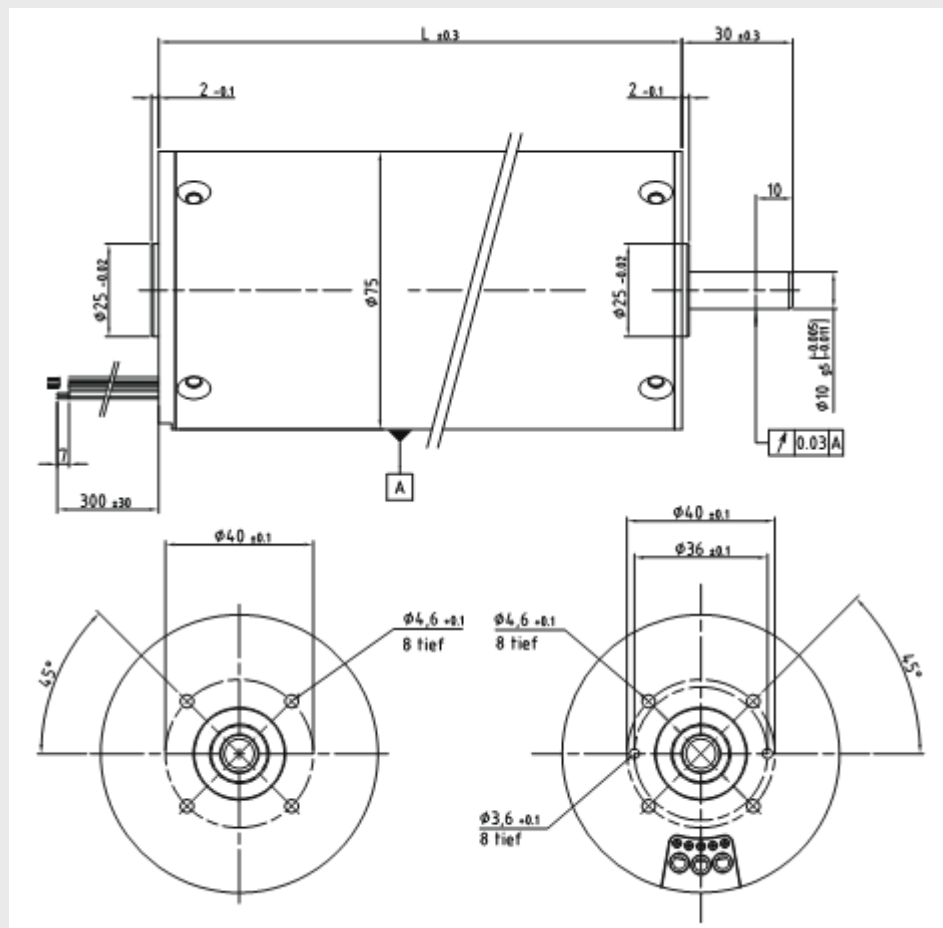
Brushless DC-motor, ECM75x20,x40,x60

- Long lifetime
- High efficiency
- Low noise
- Easy to control / regulate

Technical data:

Input voltage:	24 VDC
Output power:	57,4 - 217,7 W
Rated torque:	20 - 70 Ncm
Motor speed:	2750 - 3550 rpm
Current:	3,39 - 11,49 A
Torque constant:	6,6 - 6,7 Ncm
Rotor inertia:	385 - 603 gcm ²
Weight:	1,25 - 2,30 kg
Length:	101,5 - 141,5 mm
Axial load:	110 N
Radial load:	300 N

Dimensions:



Order information:

Please contact us for more information and article number.