

MOTOR



K.A.G.
Alles außer Stillstand.

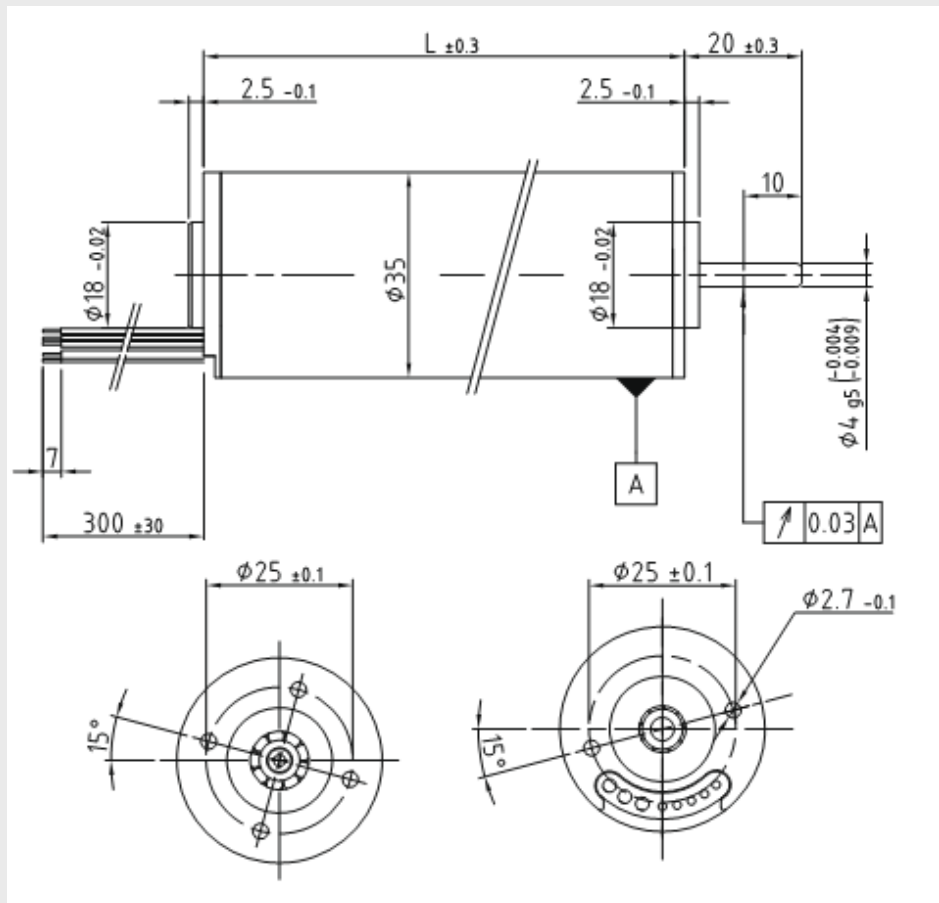
Brushless DC-motor, ECM 35x20, x30

- Long lifetime
- High efficiency
- Low noise
- Easy to control / regulate

Technical data:

Input voltage:	12 / 24 VDC
Output power:	9,9 / 15,1 W
Rated torque:	2,5 / 4 Ncm
Motor speed:	3800 / 3600 rpm
Current:	0,75 / 1,08 A
Torque constant:	4,0 / 4,2
Rotor inertia:	4,6 / 6,2 gcm ²
Weight:	0,25 / 0,30 kg
Length:	72 / 82 mm
Axial load:	30 N
Radial load:	80 N

Dimensions:



Order information:

Please contact us for more information and article number.