

MOTOR

Asynchronous motor BCE2000, 18/20W

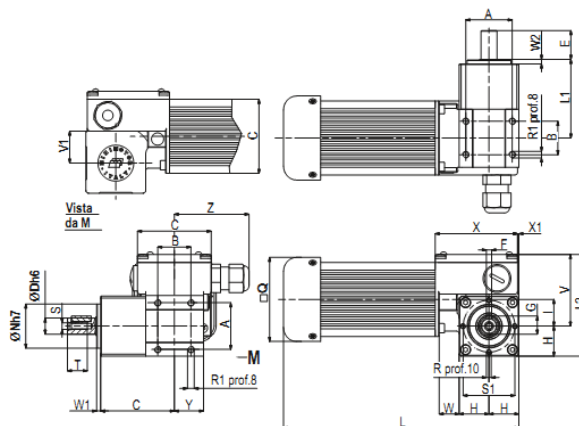


- IP65 according to EN 60529 as standard
- High torque – Compact size
- Long life time – High quality
- Encoder and brake as option
- CSA approved file no. 226757

Technical data:

Voltage:	230 - 400 VAC/ 50 - 60 Hz
Output power:	18 / 20 W
Rated torque:	2,8 - 14,4 Nm
Output speed:	7 - 56 rpm
Current:	0,15 - 0,27
Approvals:	CE, cCSAus

Dimensions:



Typ	A	B	C	D	E	F	G	H	I	L	L1	L2	N	Q	R	R1	S	S1	T	V	V1	X	X1	Y	W	W1	W2	Z
BCE2000	35	25	55,5	12	21,5	4	13,5	22,5	20	176	59,5	77,5	33	63	M4	M5	M5	39	15	55	24	62	1	22	15,5	3	4	56

Order information:

The range offers more models than you can find here. Please contact us for more information.