

MOTOR

PM motor BCE 2000, 27-37 W

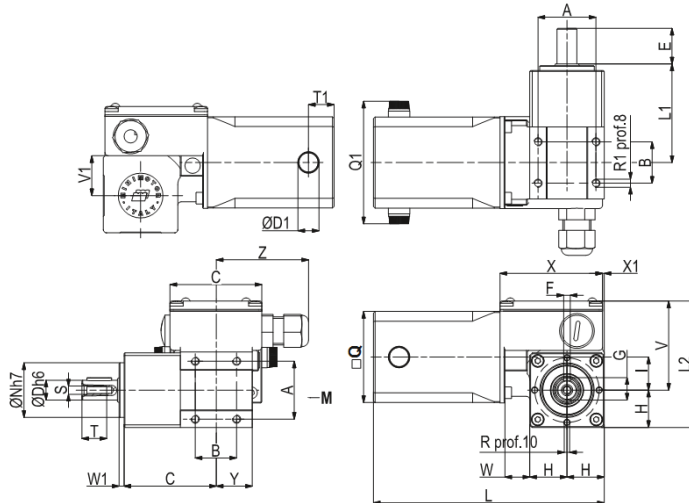


- IP65 according to EN 60529 as standard
- High torque – Compact size
- Low noise
- Encoder and brake as option
- CSA approved file no. 226757

Technical data:

Voltage	12 / 24 VDC
Output power:	27 - 37 W
Rated torque:	5,27 - 15 Nm
Output speed:	8,1 - 56 rpm
Current:	1,5 - 5 A
Approvals:	CE, cCSAus

Dimensions:



Typ	A	B	C	D	D1	E	F	G	H	I	L	L1	L2	N	Q	Q1	R	R1	S	T	T1	V	V1	X	X1	Y	W	W1	Z
BCE2000 MP	35	25	55,5	12	13	21,5	4	13,5	22,5	20	139,5	59,5	77,5	33	55	74	M4	M5	M5	15	15,5	55	24	62	1	22	15,5	3	56

Order information:

The range offers more models than you can find here. Please contact us for more information.