

MOTOR



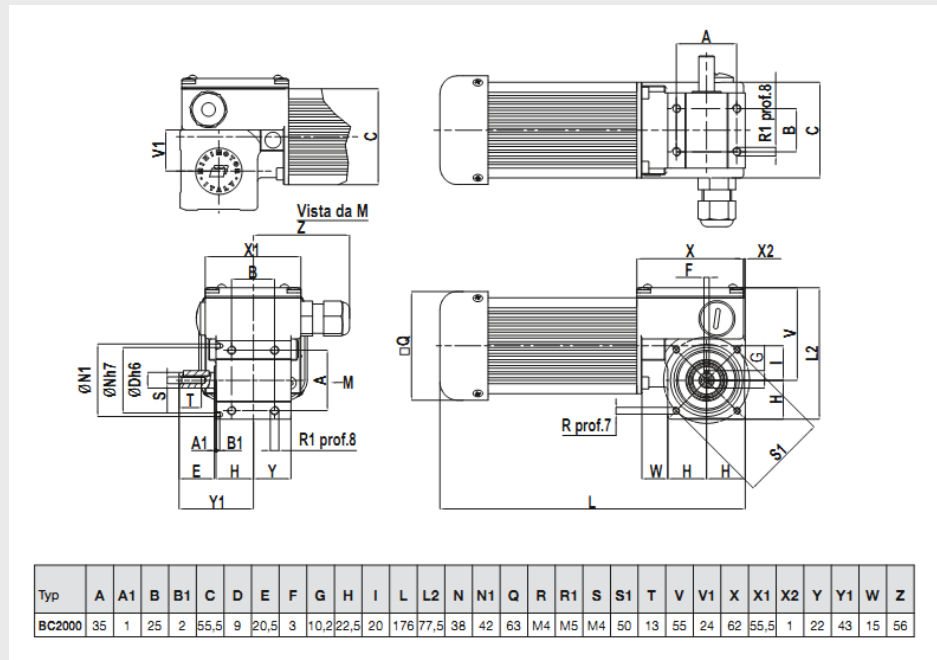
Asynchronous motor BC2000, 18/20W

- IP65 according to EN 60529 as standard
- High torque – Compact size
- Long life time – High quality
- Encoder and brake as option
- CSA approved file no. 226757

Technical data:

| | |
|---------------|--------------------------|
| Voltage: | 115 - 400 VAC/50 - 60 Hz |
| Output power: | 18 / 20 W |
| Rated torque: | 0,59 - 3,05 Nm |
| Output speed: | 35 - 280 rpm |
| Current: | 0,15 - 0,17 A |
| Approvals: | CE, cCSAus |

Dimensions:



Order information:

The range offers more models than you can find here. Please contact us for more information.