

# MOTOR

## PM motor serie BC2000, 37 W

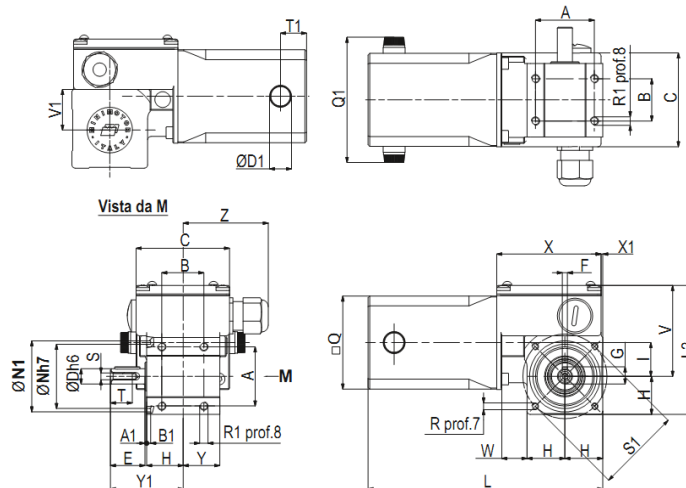


- IP65 according to EN 60529 as standard.
- High torque – Compact size
- Low noise
- Encoder and brake as option
- CSA approved file no. 226757

### Technical data:

Voltage:	12 / 24 VDC
Output power:	37 W
Rated torque:	1,1 - 5,2 Nm
Output speed:	35 - 280 rpm
Current:	2,5 - 5 A
Approvals:	CE, cCSAus

### Dimensions:



Typ	A	A1	B	B1	C	D	D1	E	F	G	H	I	L	L2	N	N1	Q	Q1	R	R1	S	S1	T	T1	V	V1	X	X1	Y	Y1	W	Z
BC2000 MP	35	1	25	2	55,5	9	13	20,5	3	10,2	22,5	20	138,5	77,5	38	42	55	74	M4	M5	M4	50	13	15,5	55	24	62	1	22	43	15	56

### Order information:

The range offers more models than you can find here. Please contact us for more information.