

MOTOR



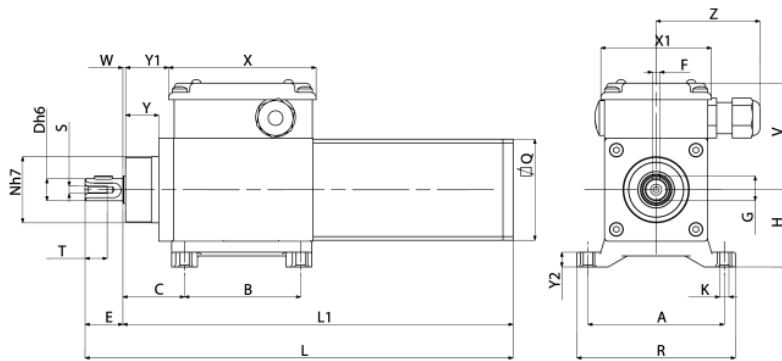
Asynchronous motor ACF, 31 W

- IP67 according to. DIN 40050
- High torque - Compact size
- Long lifetime – High quality
- Ideal for food industry
- CSA approved file no. 226757

Technical data:

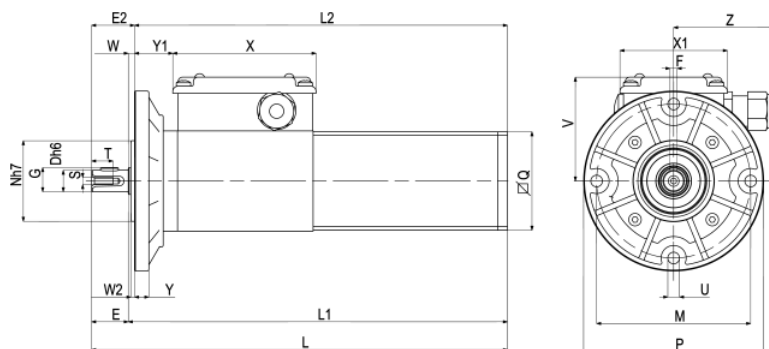
Voltage:	230 / 400 VAC / 50 Hz
Output power:	31 W
Rated torque:	0,8 - 5 Nm
Output speed:	35 - 378 rpm
Current:	0,30 / 0,17 A
Approvals:	CE, cCSAus

Dimensions:



B3

Typ	A	B	C	D	E	F	G	H	K	L	L1	N	Q	R	S	T	V	X	X1	Y	Y1	Y2	W	Z	kg
ACF2T2	74	63	33,5	12	20,5	4	13,6	43	5	232,5	212	36	55	86	M4	12	60	80	60	18	25	8	2	57	2,400



B5

Typ	D	E	E2	F	G	L	L1	L2	M	N	P	Q	S	T	U	V	X	X1	Y	Y1	W	W2	Z	kg
ACF2T2	12	20,5	24	4	13,6	232,5	212	208	86	45	100	55	M4	12	6,5	60	80	60	8	23	3,5	2	57	2,440

Order information:

The range offers more models than you can find here. Please contact us for more information.