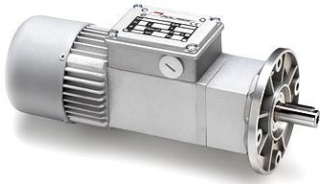


# MOTOR

## Asynchronous motor ACE, 10-77W

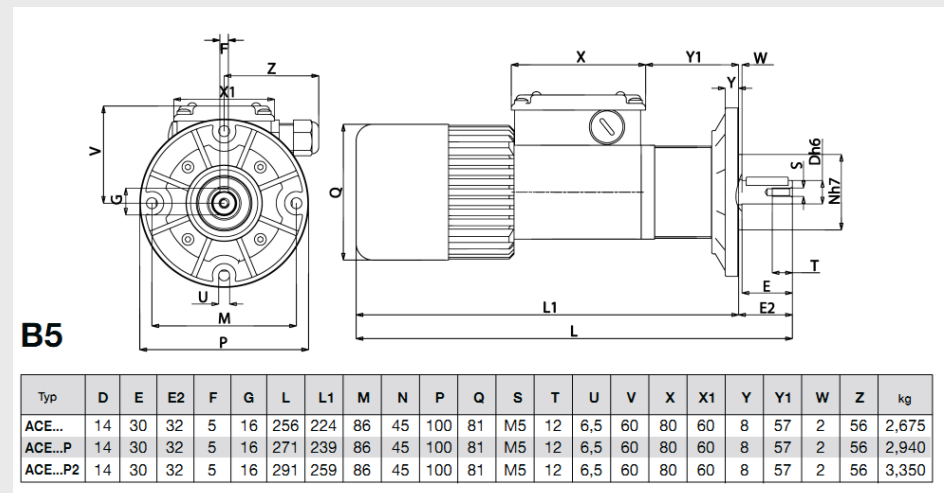
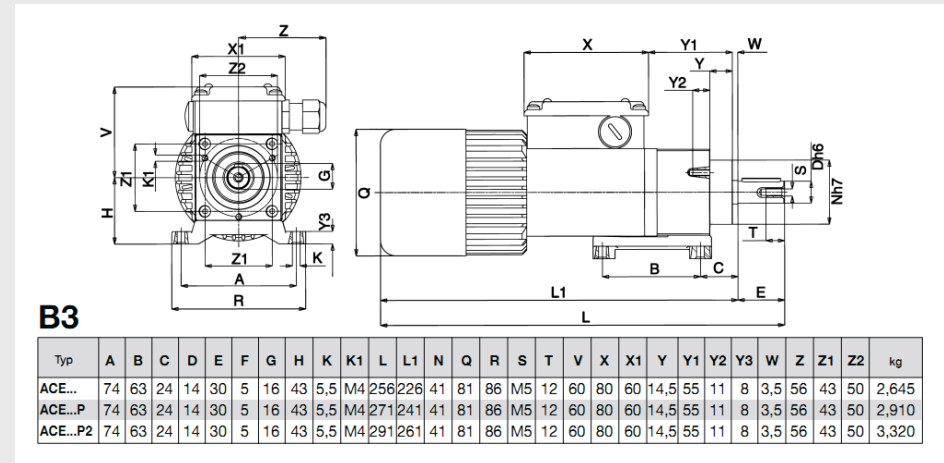


- IP65 according to EN 60529 as standard
- High torque – Compact size
- Long life time – High quality
- Encoder and brake as option
- CSA approved file no. 226757

### Technical data:

Voltage:	115 – 400 VAC/ 50 – 60 Hz
Output power:	10 – 74 W
Rated torque:	2 – 23,5 Nm
Output speed:	0,6 – 75 rpm
Current:	0,11 – 0,54 A
Approvals:	CE, cCSAus

### Dimensions:



### Order information:

The range offers more models than you can find here. Please contact us for more information.