

# MOTOR

## PM motor ACCE, 43-37 W

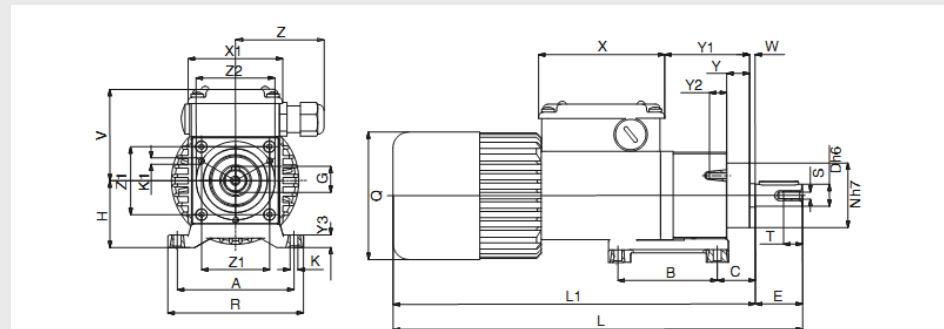


- IP65 according to EN 60529 as standard
- High torque – Compact size
- Low noise
- Encoder and brake as option
- CSA approved file no. 226757

### Technical data:

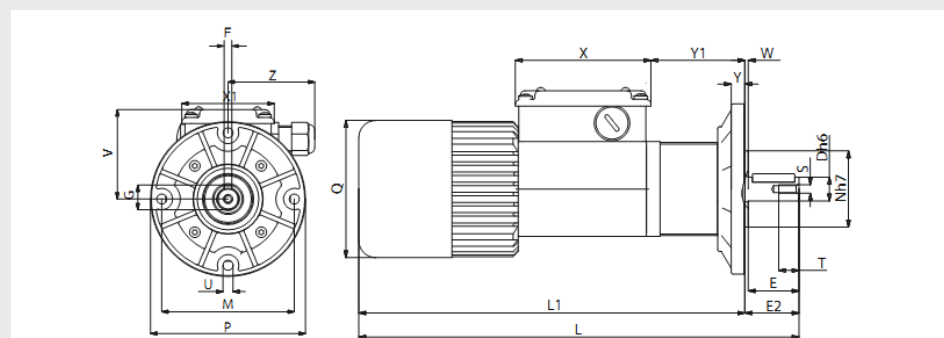
Voltage:	12 / 24 VDC
Output power:	4 - 37 W
Rated torque:	4,3 - 23,5 Nm
Output speed:	1,6 - 75 rpm
Current:	0,7 - 5 A
Approvals:	CE, cCSAus

### Dimensions



### B3

Typ	A	B	C	D	E	F	G	H	K	K1	L	L1	N	Q	R	S	T	V	X	X1	Y	Y1	Y2	Y3	W	Z	Z1	Z2	Weight kg
ACCE 12/24 MP	74	63	24	14	30	5	16	43	5,5	M4	262	232	41	81	86	M5	10	60	80	60	14,5	55,5	11	8	3,5	56	43	50	2,485



### B5

Typ	D	E	E2	F	G	L	L1	M	N	P	Q	S	T	U	V	X	X1	Y	Y1	W	Z	Weight kg
ACCE 12/24 MP	14	30	32	5	16	262	230	86	45	100	81	M5	10	6,5	60	80	60	8	57	2	56	2,515

### Order information:

The range offers more models than you can find here. Please contact us for more information.